

2026 EDITION



# JIULONG

SINCE 1982

## TRUCK & TRAILER PARTS AND CARGO EQUIPMENT



WEBSITE



3D SHOWROOM



**NINGBO JIULONG INTERNATIONAL CO., LTD.**

☎ +86-574-82815295 / +86-574-82815299

🌐 [www.nb-jiulong.com](http://www.nb-jiulong.com), [www.jltiedown.com](http://www.jltiedown.com)

📍 Factory Addr: NO.33 Technology Street, Ninghai, Ningbo  
Office Addr: Room 5F, Guangbo International Centre,  
No.1357 Yinxian Road, Ningbo, China



**BE WITH US, BE WITH SAFETY**

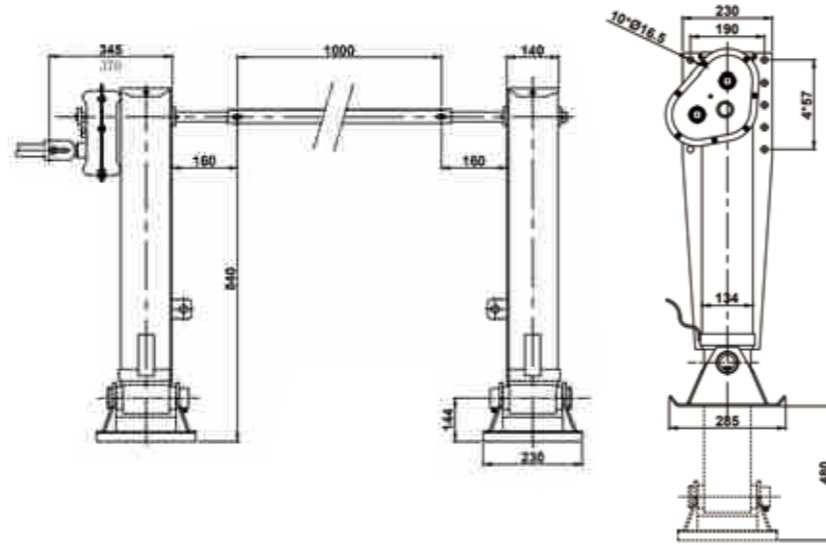


# CONTENTS

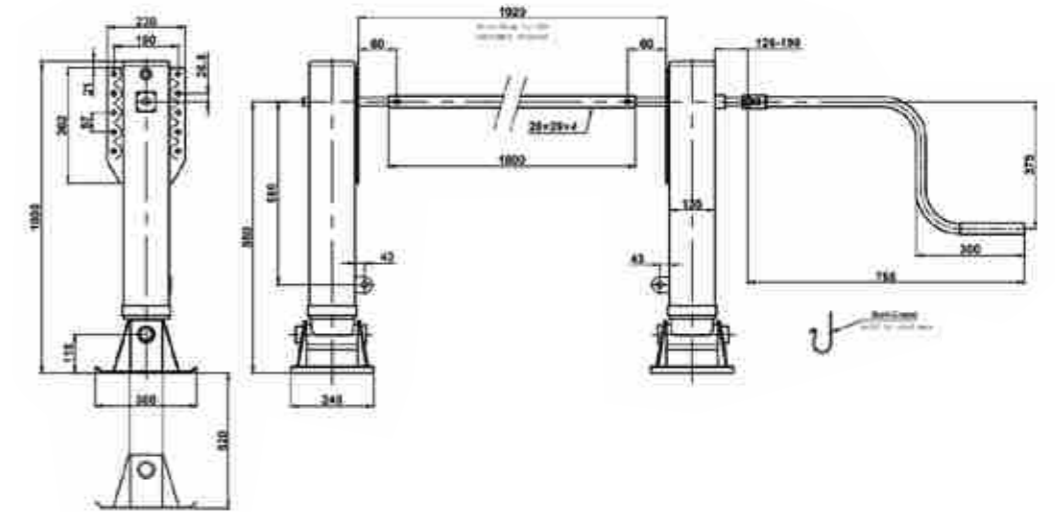


<b>LANDING GEAR</b>	<b>PAGE 01-02</b>
<b>TRUCK BOX</b>	<b>PAGE 03-07</b>
<b>HEADACHE RACK / RAMP / AIR SPRING</b>	<b>PAGE 08-12</b>
<b>SPRING BRAKE</b>	<b>PAGE 13-17</b>
<b>SLACK ADJUSTER</b>	<b>PAGE 18-20</b>
<b>AIR DRYER</b>	<b>PAGE 21-29</b>
<b>GLAND HAND / TRAILER CABLE / ELECTRIC CABLE / CABLE AND PLUG ASSEMBLY</b>	<b>PAGE 30-31</b>
<b>AIR COILS ASSEMBLY(PU) / PU MATERIAL PROPERTIES</b>	<b>PAGE 32</b>
<b>MUD FLAP BRACKET / MUDGUARD / DEER GUARD</b>	<b>PAGE 33-35</b>
<b>WHEEL HUB / WHEEL RIMS</b>	<b>PAGE 36-40</b>
<b>PLASTIC WHEEL CHOCKS / CONTAINER LOCK</b>	<b>PAGE 41-42</b>
<b>AXLE / U-BOLT / WHEEL BOLT / BUSH &amp; PIN</b>	<b>PAGE 43-44</b>
<b>DOOR GEAR SET</b>	<b>PAGE 45-48</b>
<b>SIDE GUARD LEG / HANDBRAKE TENSIONER</b>	<b>PAGE 49-50</b>
<b>STEP</b>	<b>PAGE 51-52</b>
<b>HINGE ASSEMBLY</b>	<b>PAGE 53-54</b>
<b>LOCKS</b>	<b>PAGE 55-56</b>
<b>TENSIONER / SPRING RUNNER CLAMP</b>	<b>PAGE 57-58</b>
<b>BUCKLE SET</b>	<b>PAGE 59-60</b>
<b>SPRING HOOK / STRAIGHT TYPE / CRANKED TYPE / SPRING LOADED RETAINER</b>	<b>PAGE 61-62</b>
<b>ROLLER</b>	<b>PAGE 63-66</b>
<b>DOUBLE BRAIDS / CLAMP</b>	<b>PAGE 67-68</b>
<b>MUFFLER</b>	<b>PAGE 69-72</b>
<b>EXHAUST SERIES PRODUCTS</b>	<b>PAGE 73-74</b>
<b>HANGER / GASKET / FLANGE / MACHINED PART / TRUCK MUFFLER/ FLEXIBLE TUBE</b>	<b>PAGE 75-76</b>
<b>CURVED STACKS</b>	<b>PAGE 77-78</b>
<b>BENZ / VOLVO / SNOW CHAIN / J-PLATE ALUMINUM</b>	<b>PAGE 79-80</b>
<b>TRUCK SERIES PRODUCTS / TRAP</b>	<b>PAGE 81-82</b>
<b>HOT STICKS</b>	<b>PAGE 83-84</b>

**LANDING GEAR**



Item No.	JLLG28000A
Static Load Capacity (T)	80
Lifting Capacity (T)	28
High Gear (mm)	5.4
Low Gear (mm)	0.7
Max Travel (mm)	480
Height (mm)	840
Weight (KG)	96



SAND FOOT



SPRING FOOT

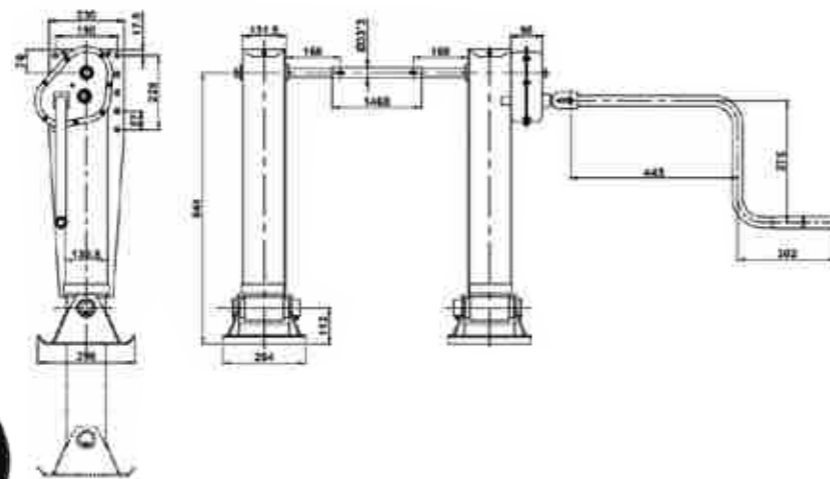
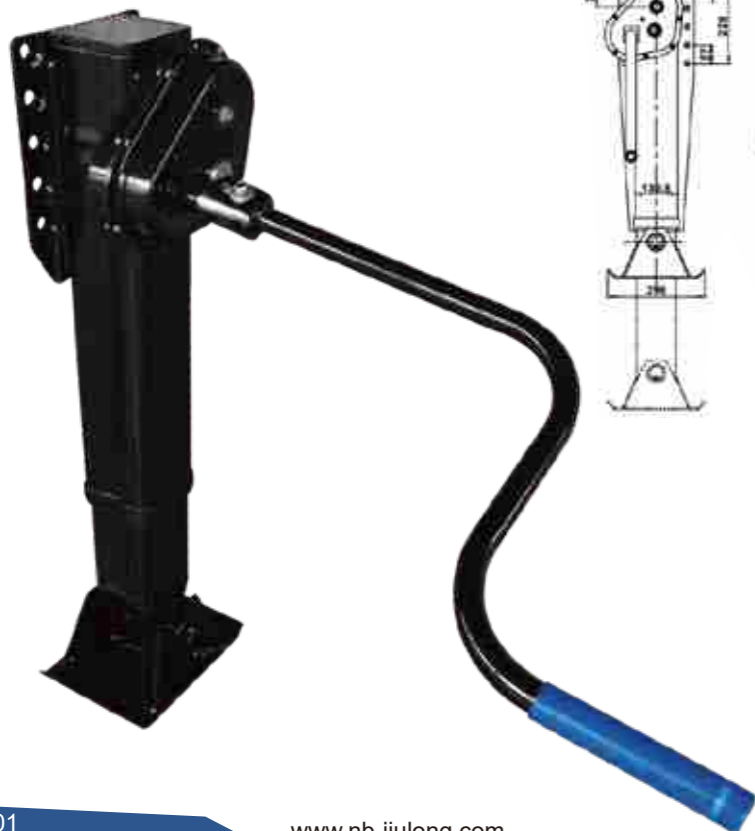


ROCKING FOOT

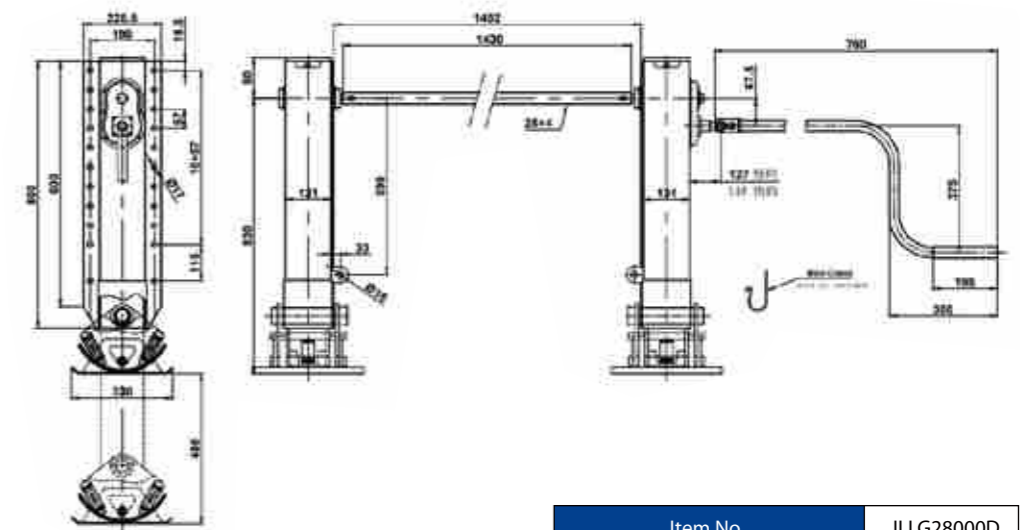


CRANK HANDLE

Item No.	JLLG28000B
Static Load Capacity (T)	80
Lifting Capacity (T)	28
High Gear (mm)	5.4
Low Gear (mm)	0.7
Max Travel (mm)	520
Height (mm)	850
Weight (KG)	98

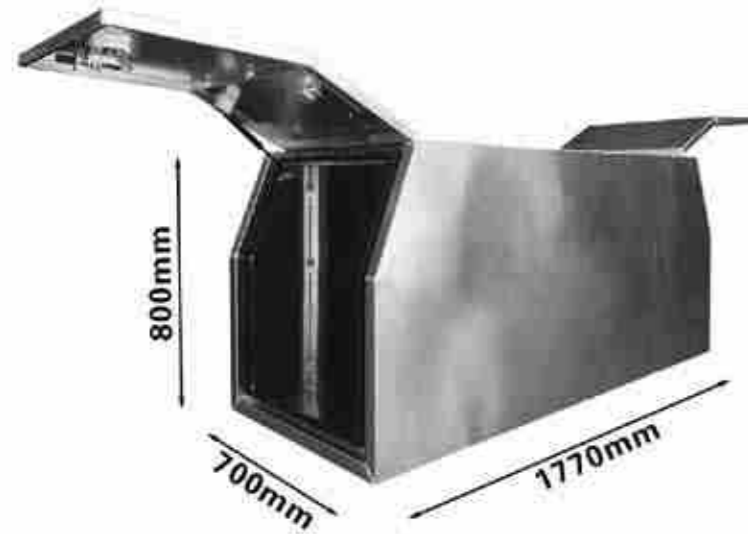


Item No.	JLLG28000C
Static Load Capacity (T)	80
Lifting Capacity (T)	28
High Gear (mm)	5.42
Low Gear (mm)	0.72
Max Travel (mm)	17" / 19"
Height (mm)	780 / 830
Crank Force (KG)	25
Weight (KG)	100



Item No.	JLLG28000D
Static Load Capacity (T)	80
Lifting Capacity (T)	28
High Gear (mm)	8.5
Low Gear (mm)	0.95
Max Travel (mm)	480
Height (mm)	830
Weight (KG)	112

**TRUCK BOX**



**Description**  
 2.0mm thick 5052 series aluminum plate  
 2 stainless steel whale tail locks and keys, optional stainless steel T-shaped lock  
 4 gas springs  
 Full size concealed stainless steel hinges  
 Waterproof & dustproof seal



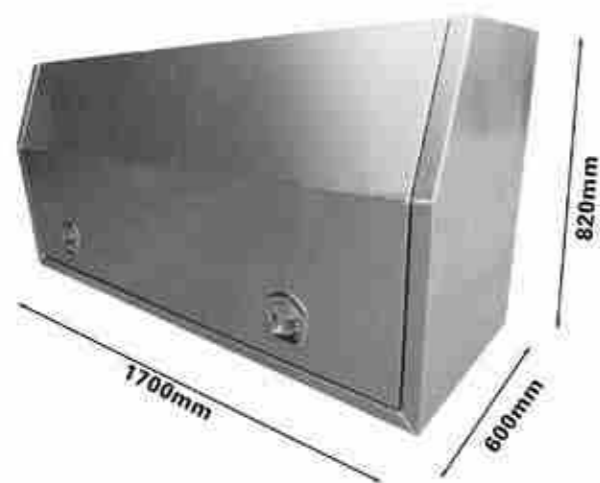
Item No.	Name	Length(cm)	Width(cm)	Height(cm)	Pack(cm)	N.W.(kg)	G.W.(kg)
JLTB001	Truck Underbody Tool Box	177	70	80	180x73x95	48	60



**Description**  
 2.0mm thick 5052 five-bar patterned aluminum plate, optional smooth aluminum plate  
 5 stainless steel whale tail locks with keys, optional stainless steel T-shaped lock  
 2 gas springs  
 Full-size concealed stainless steel hinges  
 Waterproof & dustproof seal



Item No.	Name	Length(cm)	Width(cm)	Height(cm)	Pack(cm)	N.W.(kg)	G.W.(kg)
JLTB003	Pickup Truck Toolbox with Built-in Drawers	170	60	82	172x62x97	72	84



**Description**  
 2.0mm thick 5052 series aluminum plate, optional 5-rib patterned plate  
 2 stainless steel whale tail locks and keys, optional stainless steel T-shaped lock  
 2 gas springs  
 Full-size concealed stainless steel hinges  
 Waterproof & dustproof seal



Item No.	Name	Length(cm)	Width(cm)	Height(cm)	Pack(cm)	N.W.(kg)	G.W.(kg)
JLTB002	Pickup Truck Full-Open Tool Box	170	60	82	172x62x97	41	53



3.0mm thick 5052 smooth aluminum plate



Stainless Steel Hinges

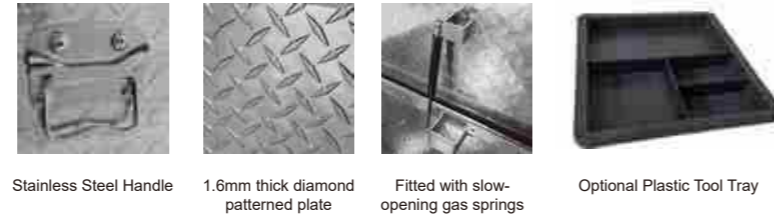
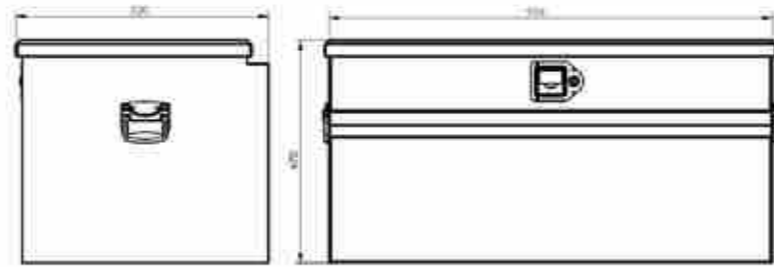


Stainless Steel Container Lock

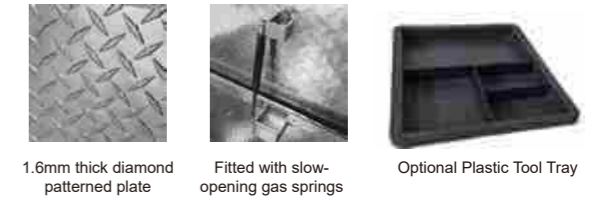
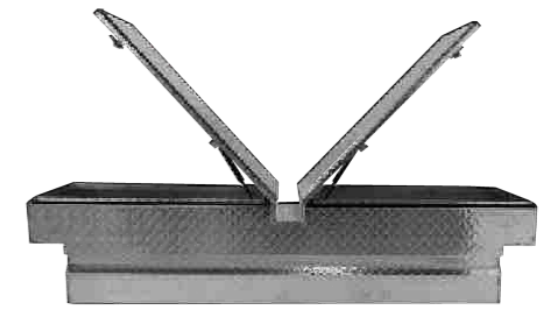
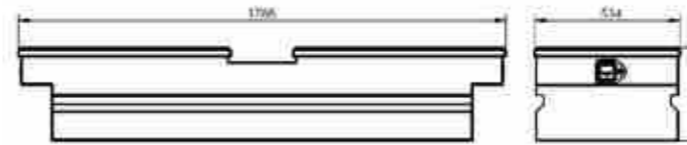


Optional Black Matte Spray Coating

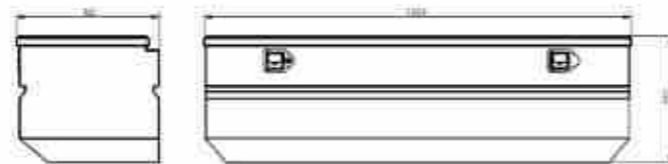
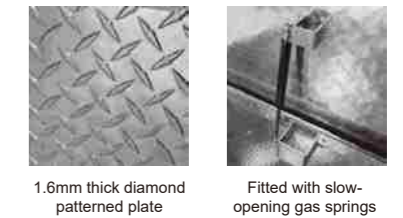
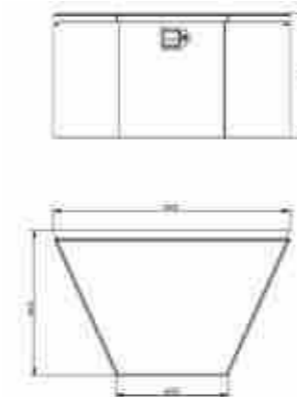
Item No.	Name	Length(cm)	Width(cm)	Height(cm)	Pack(cm)	N.W.(kg)	G.W.(kg)
JLTB004	Aluminum Truck Toolbox (18"×18"×48", Natural Finish)	122	45.7	45.7	130x54.5x50.5	27.7	31.8
JLTB005	Aluminum Truck Toolbox (18"×24"×48", Natural Finish)	122	61.0	45.7	130x69.5x50.5	31.8	36.7
JLTB006	Aluminum Truck Toolbox (24"×24"×48", Natural Finish)	122	61.0	61.0	130x69.5x65.5	36.7	43.1
JLTB007	Aluminum Truck Toolbox (18"×18"×60", Natural Finish)	152	45.7	45.7	130x54.5x50.5	32.9	37.7
JLTB008	Aluminum Truck Toolbox (18"×24"×60", Natural Finish)	152	61.0	45.7	130x69.5x50.5	37.7	43.4
JLTB009	Aluminum Truck Toolbox (24"×24"×60", Natural Finish)	152	61.0	61.0	130x69.5x65.5	43.4	49.8



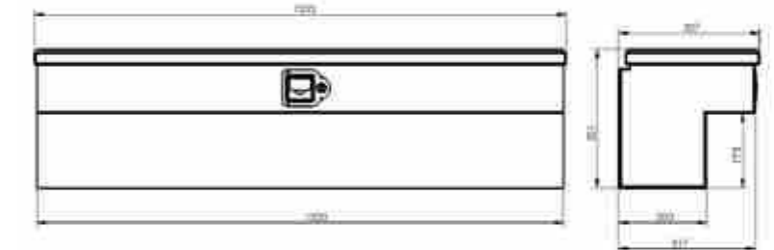
Item No.	Name	Length(cm)	Width(cm)	Height(cm)	Pack(cm)	N.W.(kg)	G.W.(kg)
JLTB010	36" Crossover Toolbox (Natural Finish)	93.6	52	47	99x58x53	13.7	17.5



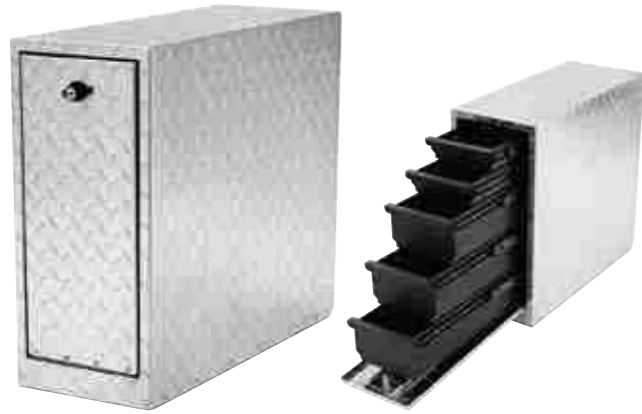
Item No.	Name	Length(cm)	Width(cm)	Height(cm)	Pack(cm)	N.W.(kg)	G.W.(kg)
JLTB016	70" T-Handle Dual-Door Toolbox (Natural Finish)	178.8	53.4	33.7	184x59x40	19.7	24.5



Item No.	Name	Length(cm)	Width(cm)	Height(cm)	Pack(cm)	N.W.(kg)	G.W.(kg)
JLTB011	48" Crossover Toolbox (Natural Finish)	122	52.1	46.2	128x58x52	16.7	20.5
JLTB012	60" Crossover Toolbox (Natural Finish)	155	52.1	46.2	161x58x52	19.8	25.0
JLTB013	48" Crossover Toolbox (Black Finish)	122	52.1	46.2	128x58x52	16.7	20.5
JLTB014	70" T-Handle Front Lock Toolbox (Black Finish)	180.3	52.1	39.4	185x58x45	23.0	28.4
JLTB015	70" Slim T-Handle Toolbox (Black Finish)	180	50.8	35.4	185x57x45	22.0	26.8



Item No.	Name	Length(cm)	Width(cm)	Height(cm)	Pack(cm)	N.W.(kg)	G.W.(kg)
JLTB017	16" Triangle Toolbox (Natural Finish)	86.5	46.5	45.5	96x61x51	9.7	12.7
JLTB018	48" Side-Mounted Toolbox (Natural Finish)	123.2	32.7	32.1	128x38x37.5	12.0	14.5



JLTB019



JLTB020

**TOOLBOX**



Item No.	Length	Width	Height	Weight		Packaging Size
	Inch	Inch	Inch	LBS	KG	cm
JLTB021-AL	60	18	18	86	39	155x63x63
JLTB022-BR	60	18	18	86	39	155x63x63
JLTB023-AL	60	18	24	115	52	155x48x41
JLTB024-BR	60	18	24	115	52	155x48x41
JLTB025-AL	60	24	24	128	58	155x48x29
JLTB026-BR	60	24	24	128	58	155x48x29



**STEEL TOOLBOX BRACKETS**

Item No.	Length	Width	Height	Weight		Packaging Size
	Inch	Inch	Inch	LBS	KG	cm
JLSTB001	18	18	/	7.3	3.3	49x49x6.5
JLSTB002	18	24	/	8.7	3.9	64x49x6.5
JLSTB003	24	24	/	9.7	4.4	64x64x6.5

**HEADACHE RACK**



Item No.	Length	Width	Height	Weight		Packaging Size
	Inch	Inch	Inch	LBS	KG	cm
JLHR001	68	70	/	143	61	/
JLHR002	68	80	/	161	73	/

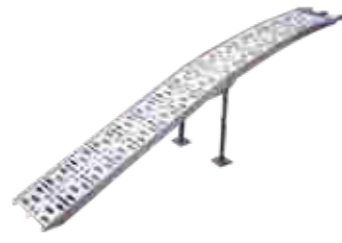


Item No.	Length	Width	Height	Weight		Packaging Size
	Inch	Inch	Inch	LBS	KG	cm
JLHR003	68	80	/	214	97	/

**ALUMINUM RAMP**



JLAR001



JLAR001-SP



JLAR001-S



JLAR001-SS

Item No.	Length (Inch)	Width (Inch)	Loading/Pair Capacity(LBS)	Gross Weight (LBS)	Packaging Size (inch)
JLAR001	89.8	12	1500	35	46x11x12.2
JLAR001-SP	89.8	12	3000	39.6	46x11x12.2
JLAR001-S	89.8	12	1500	35	46x11x12.2
JLAR001-SS	89.8	12	1500	37.4	46x11x12.2



JLAR001-X



JLAR001A



JLAR001D



JLAR002

Item No.	Length (Inch)	Width (Inch)	Loading/Pair Capacity(LBS)	Gross Weight (LBS)	Packaging Size (inch)
JLAR001-X	89.8	12	1500	30.4	46x11x12.2
JLAR001A	89.8	12	1500	35	46x11x12.2
JLAR001D	81	12	1500	31.9	46x11x12.2
JLAR002	89.8	12	1500	34	46x11x12.2



JLAR002F



JLAR005



JLAR005A



JLAR003

Item No.	Length (Inch)	Width (Inch)	Loading/Pair Capacity(LBS)	Gross Weight (LBS)	Packaging Size (inch)
JLAR002F	72	9.9	880	16.5	37.8x6.3x12.2
JLAR005	78.3	12	1200	12.8	29x12.2x10
JLAR005A	78.3	12	1200	13.6	29x12.2x10
JLAR003	76	9.9	1200	36.3	72.8x9.9x3.4

**ALUMINUM RAMP**



JLAR003R



JLAR003B



JLAR016



JLAR012

Item No.	Length (Inch)	Width (Inch)	Loading/Pair Capacity(LBS)	Gross Weight (LBS)	Packaging Size (inch)
JLAR003A	76	9.8	1000/Pair	44.5	73.2x10x4
JLAR003B	76	9.8	1000/Pair	19.6	38.8x9.6x4
JLAR016	59	8.5	440/PC	16.5	59.5x9.9x2.5
JLAR012 unfold	78	9.9	1100/pair	71.2	23.6x10.2x13
JLAR012 fold 2.2"	22.8	9.9	4840/pair	71.2	23.6x10.2x13



JLAR001L



JLAR022



JLAR036



JLAR036ZD-6FT

Item No.	Length (Inch)	Width (Inch)	Loading/Pair Capacity(LBS)	Gross Weight (LBS)	Packaging Size (inch)
JLAR001L	90.5	13	1500/Pair	27.3	91.7x13.4x3.7
JLAR022	78.7	12	1200/Pair	15.4	80x12.2x2.8
JLAR036	76	6.6	440/PC	10.2	76.8x6.7x2.8
JLAR036ZD-6FT	76	6.6	440/PC	10.2	35.4x7x5.3



JLAR019



JLAR020-94D



JLAR020A-94D

Item No.	Length (Inch)	Width (Inch)	Loading/Pair Capacity(LBS)	Gross Weight (LBS)	Packaging Size (inch)
JLAR019	89.8	12	3000/Pair	51.7	46x11x12.2
JLAR020-94D	93.7	17.7	1500/PC	30	49.2x18.5x6.9
JLAR020A-94D	93.7	17.7	1500/PC	39	49.2x18.5x6.9

**PEG RAMP**



JLPR



JLCR

Item No.	Length (Inch)	Width (Inch)	Loading/Pair Capacity(LBS)	Gross Weight (LBS)	Packaging Size (inch)
JLPR04	48	15	400	13.2	24.8x16x3
JLPR05	60	15	400	15.9	30.8x16x3
JLPR06	72	15	400	18.7	36.8x16x3
JLPR07	84	15	400	21.1	42.8x16x3
JLPR08-180KG-N	96	15	400	23.6	49.2x16x4.7
JLCR02	28.7-64	16	187	13.2	29x17.3x5

**WHEELCHAIR RAMP**

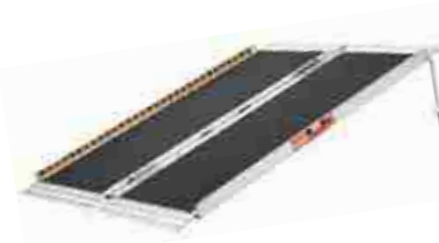


Item No.	Extended Length (Inch)	Folded Length (Inch)	Width (Inch)	Loading/Pair Capacity(LBS)	Net Weight (LBS)	Gross Weight (LBS)	FCL Qty 20GP/40HC
JLWR01A-2FT	24	17.3	7.4	600	5.2	6.6	2545;5250
JLWR01A-3FT	36	23.3	7.4	600	8.2	9.2	2335;4800
JLWR01A-4FT	48	29.3	7.4	600	11.2	13.2	2000;4200
JLWR01A-5FT	60	35.3	7.4	600	12.7	14.3	1750;3800
JLWR01A-6FT	72	41.3	7.4	600	15.4	16.9	1475;3200
JLWR01A-7FT	84	47.3	7.4	600	17.6	20.4	1335;2900



Item No.	Length (Inch)	Width (Inch)	Loading/Pair Capacity(LBS)	Gross Weight (LBS)	Packaging Size (inch)
JLWR01-2FT-A	24	28.3	600	12.8	25x15.8x4
JLWR01-3FT-A	36	28.3	600	18	37x15.8x4
JLWR01-4FT-A	48	28.3	600	24.2	49x15.8x4
JLWR01-5FT-A	60	28.3	600	29.7	61x15.8x4
JLWR01-6FT-A	72	28.3	600	36.3	73x15.8x4

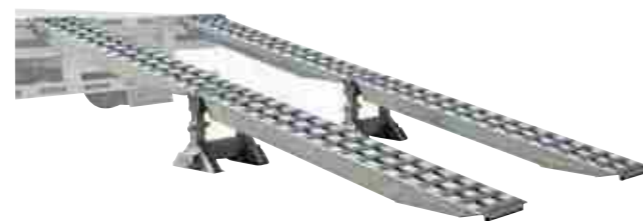
**TRAILER LOADING RAMP SET**



JLWR01B



JLHR003C



JLTLR001-Double 16' x 18"

**AIR SPRING**



WA01-8050



WA01-9069



WA01-9270

Item No.	WA01-8050	WA01-9069	WA01-9270
Weight	9.9KG	7.1KG	9.7KG
Installation height	280mm	300mm	260mm
7 bar load	46.0kN	31.0kN	32.5kN
Effective diameter	Φ 350mm (7 bar)	Φ 305mm (7 bar)	Φ 308mm (7 bar)
Maximum outer diameter	MAX Φ 365mm	MAX Φ 320mm	MAX Φ 320mm
Installation space required	Φ380mm	Φ340mm	Φ340mm
Blasting pressure	≥1.8Mpa	≥1.8Mpa	≥1.8Mpa
Minimum compression height	135mm	185mm	140mm
Maximum tensile height	460mm	540mm	420mm
Built in limit block	yes <small>Contact buffer block height 145mm</small>	yes <small>Contact buffer block height 195mm</small>	yes <small>Contact buffer block height 150mm</small>



WA01-9422

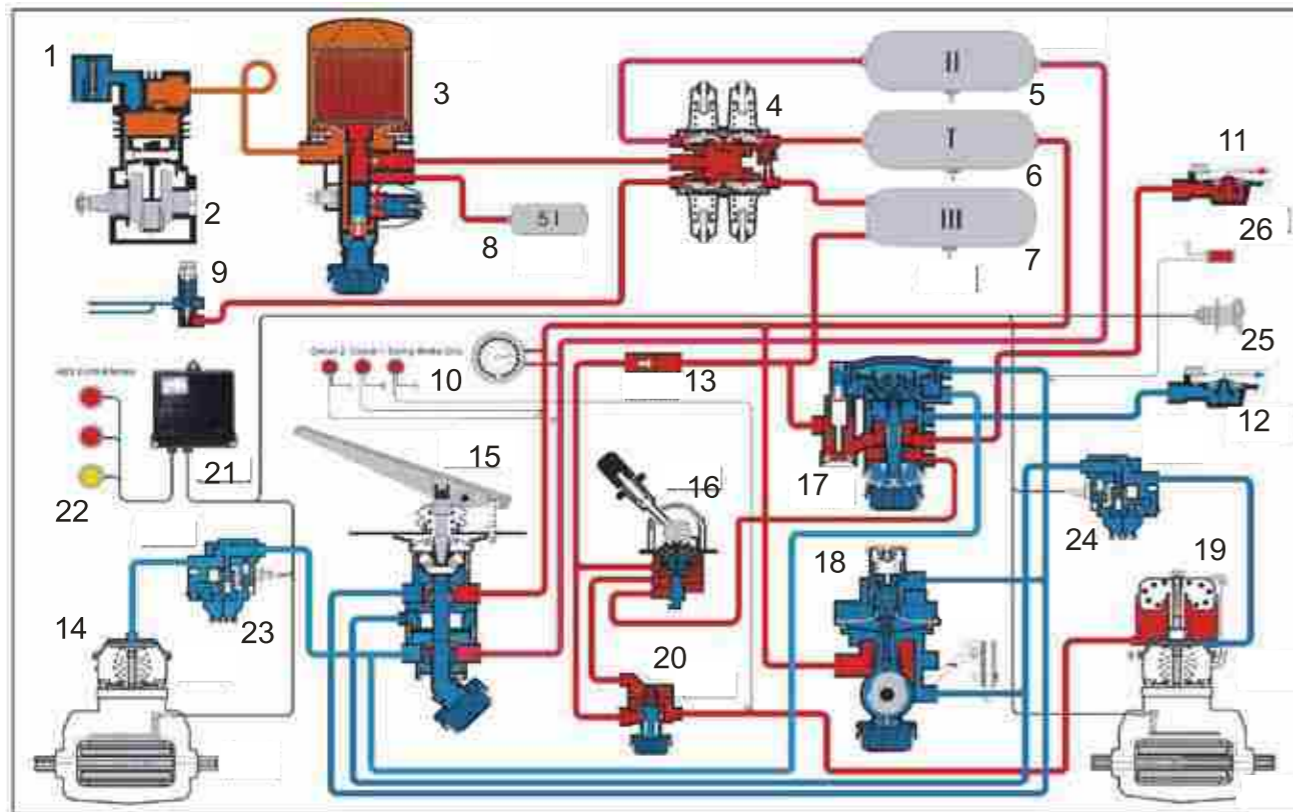


WA01-9780

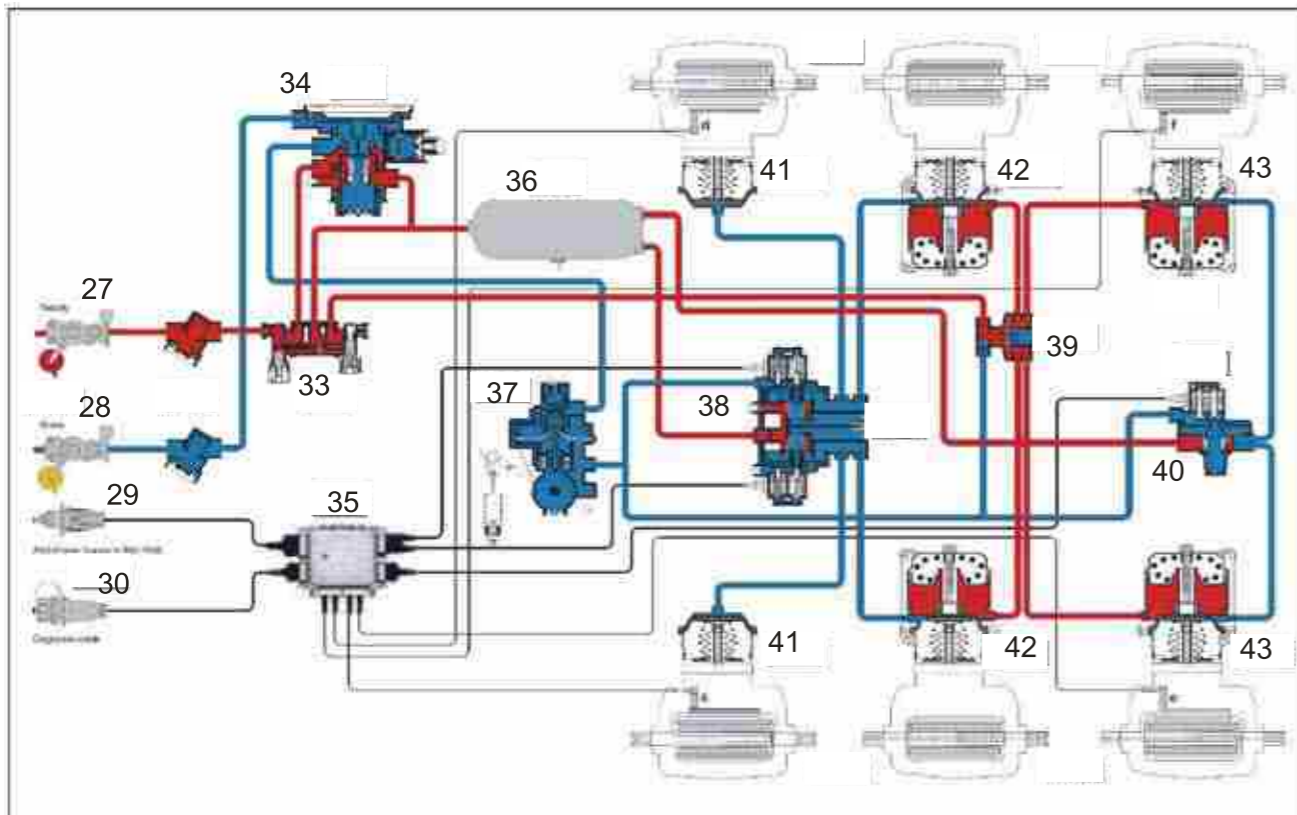


WA01-9781

Item No.	WA01-9422	WA01-9780	WA01-9781
Weight	5.2KG	6.5KG	8.1KG
Installation height	180mm	320mm	320mm
7 bar load	27.4kN	34.0kN	34.0kN
Effective diameter	Φ 375mm (7 bar)	Φ 310mm (7 bar)	Φ 310mm (7 bar)
Maximum outer diameter	MAX Φ 290mm	MAX Φ 325mm	MAX Φ 325mm
Installation space required	Φ300mm	Φ340mm	Φ340mm
Blasting pressure	≥1.8Mpa	≥1.8Mpa	≥1.8Mpa
Minimum compression height	80mm	195mm	195mm
Maximum tensile height	320mm	560mm	560mm
Built in limit block	no	no	no



**TRUCK COMPONENTS**



**TRAILER COMPONENTS**

**DOUBLE DIAPHRAGM SPRING BRAKE CHAMBER FOR AIR DISC BRAKE**



Type	Stroke(mm)	Air Ports	Reference
T16/24	57/57	2x M16x1.5	BS7309 925 384 0100
T20/24	64/64	2x M16x1.5	BS7402 925 380 1010
T16/24 H pipe	57/57	2x M16x1.5 with H pipe extension	925 384 0160
T20/24 H pipe	64/64	2x M16x1.5 with H pipe extension	925 380 1040

**SERVICE BRAKE CHAMBER FOR AIR DISC BRAKE**



Type	Stroke(mm)	Air Ports	Reference
T16	57	2x M16x1.5	423 1047100
T20	64	2x M16x1.5	423 505 0000
T24	64	2x M16x1.5	423 506 0010

**SERVICE BRAKE CHAMBER FOR S-CAM BRAKE**



Type	Stroke(mm)	Air Ports	Reference
T24	75	2x M16x1.5	423 106 9000
T30	75	2x M16x1.5	423 1079000

**DOUBLE DIAPHRAGM SPRING BRAKE CHAMBER FOR S-CAM BRAKE**



Type	Stroke(mm)	Air Ports	Pushrod Length (mm)
T24/30L	75/75	2x M16x1.5	207
T30/30L	75/75	2x M16x1.5	245

Notes: Pushrod Length can be customized as you requested.

**SERVICE BRAKE CHAMBER S-CAM BRAKE**


S/N	Type	Distance between Bolts(mm)	Stroke (mm)	Air Ports	Pushrod Length (mm)	Reference No.	Main Application
1	T12	76.2	57	2x M16x1.5	186	K:BZ3261-I139908FA W: 423 103 9000	MERCEDES -BENZ DAF, MAN, SCANIA,VOLVO, RENAULT,KRONE, SCHMITZ CARGOBULL, BPW.....
2	T16	76.2	75	2x M16x1.5	186	K:BZ3370-II33198A W: 423 104 9000	
3	T20	120.7	75	2x M16x1.5	186	K: BX3416-I133458A W: 423 105 9000	
4	T24	120.7	75	2x M16x1.5	186	K:BX3534-I33441A W:423 106 9000	
5	T30	120.7	75	2x M16x1.5	186	K: BX3604-I133444A W: 423 107 9000	

**SERVICE BRAKE CHAMBER AIR DISC BRAKE**


S/N	Type	Distance between Bolts(mm)	Stroke (mm)	Air Ports	Pushrod Length (mm)	Reference No.	Main Application
6	T16	120.7	57	2x M16x1.5	15	K:BS3300-I114535 W:423 104 7100	MERCEDES-BENZ DAF, SCANIA, VOLVO, KRONE, SCHMITZ CARGOBULL, BPW, SAF.....
7	T20	120.7	64	2x M16x1.5	15	K:BS3404-I131098 W:423 505 0000	
8	T24	120.7	64	2x M16x1.5	15	K: BS3509-I30618 W:423 506 0010	
9	T24	120.7	64	1x M22x1.5 with VOSS 232 +1x M12x1.5	15	K:BS3515-K003997N00	MERCEDES-BENZ
10	T24	120.7	64	2x M16x1.5	15	W:423 506 1000,423 506 1010, 423 506 1020,423 506 1030, 423 506 1040,423 506 1200, 423 506 1210,423 506 1220, 423 506 1230,423 506 1240	VOLVO, RENAULT

**DOUBLE DIAPHRAGM SPRING BRAKE CHAMBER S-CAM BRAKE**

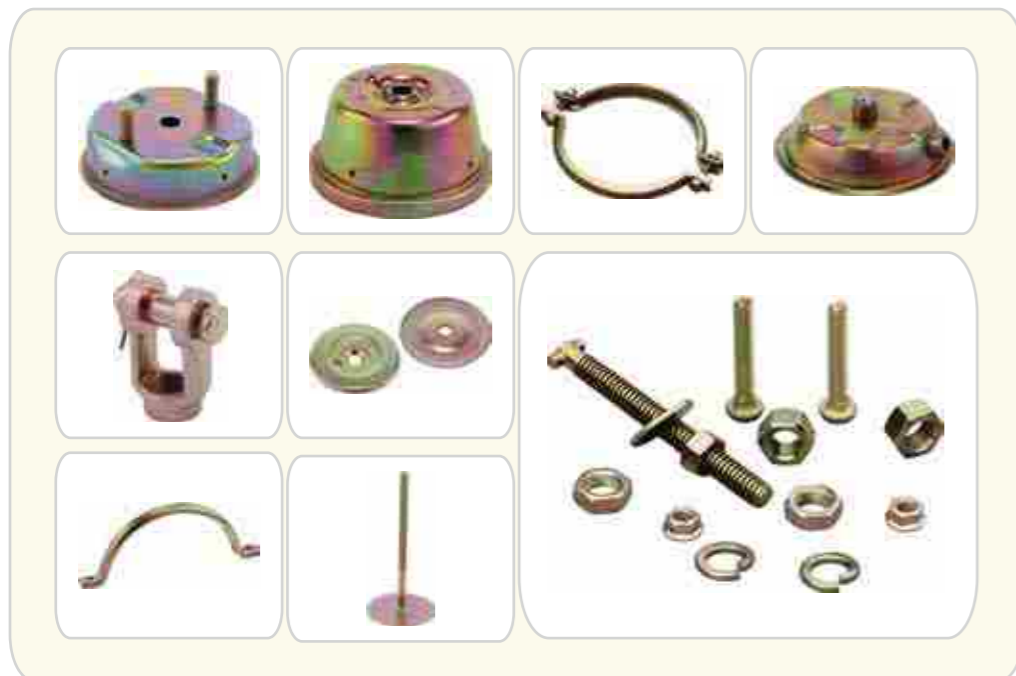

S/N	Type	Distance between Bolts(mm)	Stroke (mm)	Air Ports	Pushrod Length (to yoke pin centre) (mm)	Pushrod Length (mm)	Reference No.	Main Application
23	T20/24	120.7	64/64	2x M16x1.5	285	242	K:BX7401-K031736N00	TRAILER
24	T20/30L	120.7	75/75	2x M16x1.5	227	184	K: BX7408-K031733N00, BX7409-K031734N00 W:925 370 3000	SCHMITZ CARGOBULL KRONE, KÖGEL, BPW, SAF.....
25	T20/30L	120.7	75/75	2x M16x1.5	250	207	K:BX7401-K031736N00	
26	T24/24	120.7	64/64	2x M16x1.5	280	237	K:BX7516-K031738N00	TRAILER
27	T24/30	120.7	64/64	2x M16x1.5	250	207	K:BX7514-K031748N00 W:925 361 1000, 925 376 2000	DAF, RENAULT, SCANIA
28	T24/30L	120.7	75/75	2x M16x1.5	227	184	K:BX7525-K031740N00, BX7526-K040847N00, BX7547-K049117N00 W:925 376 0000	SCHMITZ CARGOBULL, KÖGEL, DAF, IVECO, RENAULT, BPW, SAF.....
29	T24/30L	120.7	75/75	2x M16x1.5	250	207	K: BX7523-K031739N00, BX7515-K037970N00 W:925 376 1240, 925 371 3000	SCHMITZ CARGOBULL, KÖGEL, DAF, IVECO, RENAULT.....
30	T30/30	120.7	64/64	2x M16x1.5	280	237	K:BX7611-K031744N00 W:925 362 1000, 925 377 0020	DAF, RENAULT
31	T30/30L	120.7	75/75	2x M16x1.5	288	245	P:PRO0000100 W:925 377 1000, 925 377 1100	VOLVO, SCANIA, DAF,SCHMITZ CARGOBULLBPW, SAF.....

**PIGGYBACK REPLACEMENTS**



Size	Stroke(mm)
PB1624	57
PB1624LS	64
PB2024	57
PB2024LS	64
PB2424	57
PB2424LS	64
PB2430	64
PB2430ELS	76
PB3030	64
PB3030ELS	76
PB3036	64
PB3036ELS	76
PB3636	76

**REPLACEMENT PARTS**



**AMERICAN - HALDEX 400 SERIES SLACK ADJUSTER**



-A-                      -B-                      -C-                      -D-                      -E-                      -F-

Haldex No.	Refer Parts No.	Type	Arm Length	Spline	Arm Hole Diameter	Anchor Bracket Style
40010302	40910111	F	5", 6"	1-1/2"-10	φ12.7x2	Plate
40010144	40910678/40020243	C	6"	1-1/2"-28	φ12.7x1	Clamp
40010145	40910680/40020244	C	6"	1-1/2"-10	φ12.7x1	Clamp
40010143	40910733/409-10813	A	5.5"	1-1/2"-10	φ16x1	Clamp
40020233	409-26021	E	6"	1-1/2"-10	φ12.7x1	Strap
40020228	409-26017	A	5.5"	1-1/2"-10	φ12.7x1	Strap
40910733		A	5", 6"	1-1/2"-28	φ16x1	Clamp
40010211	40910683	B	5.5"	1-1/2"-28	φ12.7x1	Plate & Flat Stud
40020215	40910685	B	5.5"	1-1/2"-10	φ12.7x1	Plate & Flat Stud
40010216	40910675	B	6"	1-1/2"-10	φ12.7x1	Plate & Flat Stud
40010215	40910685	B	5.5"	1-1/2"-10	φ12.7x1	Plate & Flat Stud
40010001	40910685	B	5.5"	1-1/4"-10	φ16x1	Plate & Flat Stud
40010214	40910674	B	6"	1-5/8"-37	φ12.7x1	Plate & Flat Stud
40010213	40910684	B	5.5"	1-5/8"-37	φ12.7x1	Plate & Flat Stud
40010212	40910673	B	6"	1-1/2"-28	φ12.7x1	Plate & Flat Stud
40010305	409-10655/40020305	F	6"	1-1/2"-28	φ12.7x1	Plate & Flat Stud
40010306	409-10656/40020306	F	6"	1-1/2"-10	φ12.7x1	Plate & Flat Stud
40010304	40020304 /409-10654	F	5.5"	1-1/2"-28	φ12.7x1	Plate & Flat Stud
40010146	40910679	C	5", 6"	1-1/2"-28	φ16x2	Strap
40010140	409-10742	A	5", 6"	1-1/2"-28	φ16x2	Strap
40010142	409-10741/40020232	A	5", 6"	1-1/2"-10	φ16x2	Strap
40010055	40910601	B	5.5"	1-1/2"-10	φ12.7x1	Clamp
40010142	40810741	A	5", 6"	1-1/2"-10	φ16x2	Strap
40010141	40910653 /409-10814	A	5.5"	1-1/2"-28	φ16x2	Strap
40020211	409-10683	B	5.5"	1-1/2"-28	φ12.7x1	Plate&FlatStud
40020212	409-20006	B	6"	1-1/2"-28	φ12.7x1	Plate&FlatStud
40020213	409-20024	B	5.5"	1-5/8"-37	φ12.7x1	Plate&FlatStud
40020214	409-20025	B	6"	1-5/8"-37	φ12.7x1	Plate&FlatStud
40020215	409-20000	B	5.5"	1-1/2"-10	φ12.7x1	Plate&FlatStud
40020216	409-20004	B	6"	1-1/2"-10	φ12.7x1	Plate&FlatStud
40020217	409-20020	A	6"	1-1/2"-10	φ12.7x1	Plate&FlatStud
40020218	409-20013	F	6"	1-1/2"-10	φ12.7x1	Plate
40020221	409-20005	B	6"	1-1/2"-10	φ12.7x1	Strap
40020222	409-20037	B	5"	1-1/2"-10	φ12.7x1	Strap
40020223	40920005	B	6"	1-1/2"-10	φ12.7x1	Plate
40020225	40920007	B	6"	1-1/2"-28	φ12.7x1	Str

**AMERICAN - MERITOR SERIES SLACK ADJUSTER**



-A-



-B-



-unhand-

Meritorclevised No.	Type	Splng Size	Lever Length	Clevis Thread
R801001	unhanded	1-1/4"-10	5-1/2"	1/2"-20 str
R801002	unhanded	1-1/4"-24	5-1/2"	1/2"-20 str
R801003	unhanded	1-1/4"-24	5-1/2"	5/8"-18 str
R801041	unhanded	1-1/2"-10	5-1/2"	5/8"-18 str
R801042	unhanded	1-1/2"-10	6"	5/8"-18 str
R801072	unhanded	1-1/2"-28	5-1/2"	5/8"-18 str
R801073	unhanded	1-1/2"-28	5-1/2"	5/8"-18 str
R801074	unhanded	1-1/2"-28	6"	5/8"-18 str
R801079	unhanded	1-1/2"-28	5-1/2"	5/8"-18 str
R801101	unhanded	1-5/8"-37	5-1/2"	5/8"-18 str
R801102	unhanded	1-5/8"-37	6"	5/8"-18 str
R802070	TYPE A	1-1/4"-24	5-1/2"	5/8"-18 str
R802071	TYPE B	1-1/4"-24	5-1/2"	5/8"-18 str
R802316	TYPE A	1-1/2"-10	5-1/2"	5/8"-18 str
R802317	TYPE B	1-1/2"-10	5-1/2"	5/8"-18 str
R802332	TYPE A	1-1/2"-10	5-1/2"	5/8"-18 str
R802333	TYPE B	1-1/2"-10	5-1/2"	5/8"-18 str
R802380	TYPE A	1-1/2"-10	7"	3/4"-16 str
R802381	TYPE B	1-1/2"-10	7"	3/4"-16 str
R802444	TYPE A	1-1/2"-28	5-1/2"	5/8"-18 str
R802445	TYPE B	1-1/2"-28	5-1/2"	5/8"-18 str
R802446	TYPE A	1-1/2"-28	5-1/2"	5/8"-18 str
R802447	TYPE B	1-1/2"-28	5-1/2"	5/8"-18 str
R802462	TYPE B	1-1/2"-28	5-1/2"	5/8"-18 str
R802463	TYPE A	1-1/2"-28	5-1/2"	5/8"-18 str
R802486	TYPE A	1-1/2"-28	6"	5/8"-18 str
R802487	TYPE B	1-1/2"-28	6"	5/8"-18 str
R802490	TYPE A	1-1/2"-28	6"	5/8"-18 str
R802491	TYPE B	1-1/2"-28	6"	5/8"-18 str
R802512	TYPE A	1-1/2"-28	6-1/2"	5/8"-18 str
R802513	TYPE B	1-1/2"-28	6-1/2"	5/8"-18 str
R802666	TYPE A	1-1/2"-10	5-1/2"	5/8"-18 str
R802667	TYPE B	1-1/2"-10	5-1/2"	5/8"-18 str

**FUW BPW ROR SAE SAF SERIES SLACK ADJUSTER**



Item No.	Application	L1	Teeth	Bushing
18A0178	TRAILER	8"/7"/6"/5"	1-5/8"-37	12.7
18A0178	TRAILER	8"/7"/6"/5"	1-1/2"-10	12.7
KN47001	TRAILER	7"/6"/5"	1-1/2"-10	12.7
KN44071	TRAILER	7"/6"/5"	1-1/2"-28	12.7
278335/KN44042	TRAILER	7"/6"/5"	1-5/8"-37	12.7
KN48002/278305	TRAILER	7"/6"/5"	1-1/4"-10	12.7
KN44040	TRAILER	6"	1-5/8"-37	12.7
279634/KN47002	TRAILER	5.5"/4.5"	1-1/2"-10	12.7
KN52040/KN47080	TRAILER	6"/5"	1-1/2"-10	12.7
CS52100/KN47081	TRAILER	6"/5"	1-1/2"-10	12.7
KN47011/278008	TRAILER	6.5"/5.5"	1-1/2"-10	12.7
288753/KN44061	TRAILER	6.5"/5.5"	1-1/2"-28	12.7
KN54010	TRAILER	5-1/2"	1-1/4"-24	12.7
KN50010	TRAILER	5.5"/4.5"	1-1/2"-10	12.7
KN50000 278252	TRAILER	5.5"/4.5"	1-1/2"-10	12.7
KN50060 280425	TRAILER	6"/5"/4"	1-1/2"-10	12.7
KN50070 280424	TRAILER	6"/5"/4"	1-1/2"-10	12.7
KN52050	TRAILER	5.5	1-1/2"-48	12.7
KN53000/288541	TRAILER	6"/5"	1-1/2"-10	12.7
KN53010/288542	TRAILER	6"/5"	1-1/2"-10	12.7
KN49020	TRAILER	5.5"/4.5"	1-1/4"-10	12.7
KN49030/278289	TRAILER	5.5"/4.5"	1-1/4"-10	12.7
KN55001	TRAILER	5.5"	1-1/4"-24	12.7
KN48031	TRAILER	5.5"/4.5"	1-1/4"-10	12.7
KN44051	TRAILER	6"/5"	1-1/2"-28	12.7
KN48001	TRAILER	6"/5"	1-1/4"-10	12.7
278302/KN48031	TRAILER	5.5"/4.5"	1-1/4"-10	12.7
KN53020	TRAILER	5.5"	1-1/2"-28	12.7
KN49000/278294	TRAILER	5.5"/4.5"	1-1/4"-10	12.7
KN49010/278295	TRAILER	5.5"/4.5"	1-1/4"-10	12.7
KN52060	TRAILER	5"/4"	1-1/2"-48	12.7
KN53030	TRAILER	5.5	1-1/2"-28	12.7
KN54000	TRAILER	5.5	1-1/4"-24	12.7
KN51000/278084	TRAILER	6"	1-1/2"-10	12.7
KN51010	TRAILER	6"	1-1/2"-10	12.7

**AIR DRYER**

**AIR DRYER**

JIULONG NO.: JL3555JR  
 ORG NO.: 432 410 083 0  
 JIULONG NO.: JL3555LL  
 ORG NO.: 432 410 081 0

Scania: 1441751

**432 421 009 0**

JIULONG NO.: JL3555BL  
 ORG NO.: 432 425 101 0  
 OEM NO.: R955300  
 400 611 059 0  
 SS1200P

MACK 6300-4006110540  
 VOLVO

**432 425 101 0 / 432 425 105 0**

JIULONG NO.: JL3555JN  
 ORG NO.: 432 425 101 0  
 OEM NO.: 20884103  
 20700794  
 20466522

JIULONG NO.: JL3555JP  
 ORG NO.: 432 425 105 0

**AIR DRYER REPAIR KIT**

JIULONG NO.: JL3555JO  
 ORG NO.: 432 425 920 2  
 DC: 24V

**432 425 922 2**

JIULONG NO.: JL3555TP

**932 400 002 0/932 400 003 0**

JIULONG NO.: JL3555PI/  
 JL3555PK

HEAT: 24V  
 NOTES: BENZ

**932 400 000 2**

JIULONG NO.: JL3555TR  
 DAF: 151920  
 BENZ: 000 430 141 5

**932 500 003 0/932 500 004 0**

JIULONG NO.: JL3555LB/  
 JL3555LC

HEAT: 24V  
 NOTES: VARIOUS

**932 500 007 0**

JIULONG NO.: JL3555LA  
 HEAT: 24V  
 NOTES: BENZ/DAF

**932 500 014 0**

JIULONG NO.: JL3555LD  
 HEAT: 24V  
 NOTES: BENZ/DAF

**932 500 006 0**

JIULONG NO.: JL3555KA  
 HEAT: 24V

**AIR DRYER WITH SIX CIRCUIT**

JIULONG NO.: JL3555SW  
 ORG NO.: 9325001030  
 JIULONG NO.: JL3555SW-1  
 ORG NO.: 932 500 104 0  
 JIULONG NO.: JL3555SW-2  
 ORG NO.: 932 500 102 0

**AIR DRYER**

JIULONG NO.: JL3555SS  
 JL3555SS-1  
 JL3555SS-2  
 ORG NO.: 932 501 009 0  
 932 501 007 0  
 932 501 003 0

**432 471 101 0**

JIULONG NO.: JL3555SV  
 OEM NO.: MACK: 21463062

**AIR DRYER**

JIULONG NO.: JL3555BS  
 JL3555BS-1  
 JL3555BS-2  
 ORG NO.: 932 510 004 0  
 932 510 009 0  
 932 510 005 0

**932 500 035 0**

JIULONG NO.: JL3555LD  
 HEAT: 24V  
 NOTES: BENZ/DAF

**AIR DRYER REPAIR KIT**

JIULONG NO.: JL3555KF  
 SPECIFICATION:  
 M27X1 UNIVERSAL  
 NOTES:  
 USE TO CONNECT  
 TO ANY WIRING LOOM

**AIR DRYER REPAIR KIT**

JIULONG NO.: JL3555KK  
 ORG NO.: 894 260 046 2  
 SPECIFICATION:  
 12 VOLT-100 WATT

JIULONG NO.: JL3555KL  
 ORG NO.: 894 260 047 2  
 SPECIFICATION:  
 24 VOLT-100 WATT

**AIR DRYER**

**AIR DRYER REPAIR KIT**

JIULONG NO.: JL3555KZ  
 ORG NO.: 894 260 044 2  
 SPECIFICATION:  
 12 VOLT-100 WATT

JIULONG NO.: JL3555KX  
 ORG NO.: 894 260 040 2  
 SPECIFICATION:  
 24 VOLT-100 WATT

**LA6200A / LA6210A**

JIULONG NO.: JL3555KP  
 JL3555KQ

**LA6200 / LA6210**

JIULONG NO.: JL3555KA  
 JL3555KB

**187917**

JIULONG NO.: JL3555DG

**LA6700A / LA6710A**

JIULONG NO.: JL3555KR  
 JL3555KS

**LA6700B**

JIULONG NO.: JL33555HT

**LA8001**

JIULONG NO.: JL3555AA

**LA8011**

JIULONG NO.: JL3555AG

**LA8035**

JIULONG NO.: JL3555AQ

**LA8206**

JIULONG NO.: JL3555KN

**LA8225 / LA8227 / LA6210B**

JIULONG NO.: JL3555KV  
 JL3555HI  
 JL3555DA

**LA8211 / LA8203 / LA8209**

JIULONG NO.: JLD6340  
 JL3555HQ  
 JL3555HO

**LA8628 / LA8269**

JIULONG NO.: JL3555KY  
 JL3555YZ

**LA8219 / LA2221 / LA6200B**

JIULONG NO.: JL3555KW  
 JL3555KX  
 JL3555DB

**LA8224 / LA8255 / LA8256**

JIULONG NO.: JL3555HE  
 JL3555KT  
 JL3555KU

**LA9018 / LA9020**

JIULONG NO.: JL3555MC  
 JL3555MD

**LA8125**

JIULONG NO.: JL3555FE  
 IVECO: 42536872  
 HEAT: 24V

**LA8130 / LA8131**

JIULONG NO.: JL3555FF  
 DAF: 1607424

JIULONG NO.: JT3555FG

**AIR DRYER**

**II19762004**

JIULONG NO.: JL3555TS  
DAF: 1357444  
IVECO: 500 185 778 9

**AIR DRYER REPAIR KIT**

JIULONG NO.: JL3555DD

**AIR DRYER REPAIR KIT**

JIULONG NO.: JL3555DE  
OEM NO.: 351 101 201 10

**AIR DRYER REPAIR KIT**

JIULONG NO.: JL3555DF

**AIR DRYER REPAIR KIT**

JIULONG NO.: JL3555AD

**ZB4424**

JIULONG NO.: JL3555CA  
FORD: 04 054424 28  
FORD: K010593  
FORD: 7C462A131AB  
FORD: 7C462A131AC  
59550-8D003

**ZB4511**

JIULONG NO.: JL3555CG

**ZB4528**

JIULONG NO.: JL3555CH

**ZB4578**

JIULONG NO.: JL3555CB  
DAF: 1443153R  
DAF: 1443153A  
DAF: 1443153  
DAF: 1374293

**ZB4587**

JIULONG NO.: JL3555CC  
IVECO: 41211254  
IVECO: 41211384  
K012243  
IVECO:41285078

**ZB4593 / ZB4734 / ZB4572**

JIULONG NO.: JL3555CE  
K043830N00  
K012246  
5801414923  
0405473425  
41211392  
41285081  
41211262  
41033006

**ZB4706**

JIULONG NO.: JL3555CF  
Drying cylinder: 1821580  
DAF: K014682  
DAF: 1681570  
HEAT: 24V

**ZB4810**

JIULONG NO.: JL3555CQ

**AIR DRYER WITH SIX CIRCUIT**

JIULONG NO.: JL3555CK  
ORG NO.: ZB4803  
JIULONG NO.: JL3555CL  
ORG NO.: ZB4805

**LA8305**

JIULONG NO.: JL3555MK  
OEM NO.: K959672

**ZE4501**

JIULONG NO.: JL3555SX

**3543010-92200**

JIULONG NO.: JL3555JI-1

**CK450**

JIULONG NO.: JL3555JG-1  
OEM NO.: 47500-NY027  
47500-Z9229

**CONSEP CONDENSOR SEPARATOR**

JIULONG NO.: JL3556LC

JIULONG NO.: JL3556LA  
JL3556LB  
OEM NO.: 41210029  
41210026  
DC:24V/12V

**35MA1-50030 / 35MA1-50030YT**

JIULONG NO.: JL3556LD  
PORTS: 1/2" NPT  
DC: 24V  
JIULONG NO.: JL3556LE  
PORTS: M22x1.5  
DC: 24V

**10501-DV001**

JIULONG NO.: JL3556LW  
OEM NO.: 96801448  
K71311-00  
713235  
M22X1.5

**92693**

JIULONG NO.: JL3556LS  
OEM NO.: 3506-04879

**8945512V**

JIULONG NO.: JL3556LU-12V

**412-77322**

JIULONG NO.: JL3556LF  
41277322

**41290364**

JIULONG NO.: JL3556LG

**UNLOADER VALVE**

**975 300 014 0**

JIULONG NO.: JL3512XB  
PORTS: 1+21=M22x1.5

**975 300 110 0**

JIULONG NO.: JL3512XA  
PORTS: 1+21=M22x1.5

**975 303 085 0**

JIULONG NO.: JL3512XK  
PORTS: 1+21=M22x1.5  
4+23=M12x1.5

**975 303 473 0**

JIULONG NO.: JL3512XC  
PORTS: 1+21=M22x1.5

**975 303 474 0**

JIULONG NO.: JL3512XF  
PORTS: 1+21=M22x1.5  
4+22=M12x1.5

**DR3216 / DR3224**

JIULONG NO.: JL3512XQ  
JL3512XP  
PORTS: 1+21=M22x1.5

**DR3231 / DR3200**

JIULONG NO.: JL3212XL  
JL3212XS

**100-3512010**


JIULONG NO.: JL3512XR  
PORTS: 1.2=M22x1.5

**DR3500**

JIULONG NO.: JL3512XO  
PORTS: 1+21=M22x1.5

**GOVERNOR VALVE / PRESSURE LIMITING VALVE**

**CHARGING VALVE**



JIULONG NO.: JL3512AC  
ORG NO.: 4341001240  
PORTS: 1,2=M22x1.5  
NOTES: BENZ/MAN/DAF/  
VOLVO/IVECO/RENAULT

**PRESSURE LIMITING VALVE**



JIULONG NO.: JL3512AU  
ORG NO.: 475 010 3000  
PORTS: 1,2=M22X1.5  
NOTES: MAN

**PRESSURE LIMITING VALVE**



JIULONG NO.: JL3512AV  
ORG NO.: 475 010 400 0  
PORTS: ALLM22X1.5 VOSS  
NOTES: DAF

**PRESSURE LIMITING VALVE**



JIULONG NO.: JL3512AA  
ORG NO.: 475 015 031 0  
PORTS: 1,2=M16X1.5  
NOTES: DAF/IVECO

JIULONG NO.: JL3512AD  
ORG NO.: 4750150400  
PORTS: 1,2=M16X1.5  
NOTES: DAF/IVECO

**GOVERNOR VALVE**



JIULONG NO.: JL-07183  
ORG NO.: 44530-1170

**PRESSURE REGULATOR**



JIULONG NO.: JL-07184  
ORG NO.: MC802149

**GOVERNOR VALVE**



JIULONG NO.: JL-07185  
ORG NO.: 1-48350058-0

**GOVERNOR VALVE**



JIULONG NO.: JL-07186  
ORG NO.: 1-48350059-0

**GOVERNOR VALVE**



JIULONG NO.: JL-07187  
ORG NO.: 1-48350063-0  
JIULONG NO.: JL-07186-1  
DRG NO.: 1-4835-093-2

**GOVERNOR VALVE**



JIULONG NO.: JL-07188  
ORG NO.: 44530-1160

JIULONG NO.: JL-07188BF  
ORG NO.: 44530-1110

**D2 GOVERNOR VALVE**



JIULONG NO.: JL-07189TO  
ORG NO.: 267100

JIULONG NO.: JL-07189TP  
ORG NO.: 272126

**D2 GOVERNOR VALVE**



JIULONG NO.: JL-07190(A)  
ORG NO.: 275491

JIULONG NO.: JL-07190(B)  
ORG NO.: 275707

JIULONG NO.: JL-07190(C)  
ORG NO.: 284358

**D2 GOVERNOR VALVE**



JIULONG NO.: JL-07191  
ORG NO.: MC808718

**GOVERNOR VALVE**



JIULONG NO.: JL-07192TL  
ORG NO.: 277486

JIULONG NO.: JL-07192TL-1  
ORG NO.: 5 004049

**SING CHECK PROTECTION VALVE**




JIULONG NO.: JLD07193  
ORG NO.: 065677  
OEM NO.: R955205

**PRESSURE PROTECION VALVE**



JIULONG NO.: JL-07194  
ORG NO.: V-FS6596  
PORTS: 1/4"NPT

**PRESSURE LIMITING VALVE**



JIULONG NO.: JL3512TS  
OEM NO.: 0481063004000  
PORTS: 1,2=M16X1.5  
NOTES: BENZ/MAN

**PRESSURE LIMITING VALVE**



JIULONG NO.: JL3512TR  
ORG NO.: KAC157C/CA  
5010260893

**GOVERNOR VALVE / PRESSURE LIMITING VALVE**

**PRESSURE LIMITING VALVE**



JIULONG NO.: JL3512TT  
ORG NO.: 0481009017  
PORTS: 1,2=M16x1.5  
NOTES: BENZ/MAN  
JIULONG NO.: JL3512TU  
ORG NO.: 0481009026  
PORTS: 1,2=M22x1.5  
NOTES: VOLVO/MAN


**GOVERNOR VALVE**



JIULONG NO.: JL-3512A  
ORG NO.: 44530-1360

JIULONG NO.: JL-3512BL  
ORG NO.: 44530-1370

**GOVERNOR VALVE**



JIULONG NO.: JL3512TR  
ORG NO.: 4750100080

JIULONG NO.: JL3512TR-1  
ORG NO.: 4750100010

JIULONG NO.: JL3512TR-2  
ORG NO.: 4750100060

**MODULATING VALVE**



JIULONG NO.: JL3512DE  
ORG NO.: 103081  
R-7

**REDUCTION VALVE**



JIULONG NO.: JL3512X  
ORG NO.: 54760-EW010

**PRESSURE IIMITING VALVE**



JIULONG NO.: JL3512TB  
ORG NO.: AC156B

JIULONG NO.: JL3512TB-1  
AC156D

JIULONG NO.: JL3512TB-4  
AC1569

**FOUR CIRCUIT PROTECTION VALVE**

**TWO CIRCUIT PROTECTION VALVE**



JIULONG NO.: JL3534BO  
ORG NO.: 4347000030  
OEM NO.: 0481027019  
DAF: 1517993  
IVECO : 03423561  
04670826 08538640

**934 700 040 0**



JIULONG NO.: JL3534GD  
PORTS: 1=M22x1.5  
21,22=M16x1.5  
NOTES: BENZ/DAF/MAN

**934 702 300 0/934 702 302 0**



JIULONG NO.: JL3534SO  
JL3534SI  
PORTS: 1=M22x1.5  
21,22,23,24=M16x1.5  
NOTES: BENZ/RENAULT/  
NEOPLAN

**934 702 260 0**



JIULONG NO.: JL3534SB

**934 705 002 0**



JIULONG NO.: JL3534GB  
PORTS: FLANGE, MAIN  
FEEDS M22X1.5 VOSS  
NOTES: DC 0034315506

**934 705 005 0**



JIULONG NO.: JL3534GA  
PORTS: FLANGE, MAIN  
FEEDS M22X1.5 VOSS  
NOTES: DC 0034315506

**441 043 504 1 / 441 043 001 1**



JIULONG NO.: JL4410435041  
SUPPLY VOLTAGE: 5V  
JIULONG NO.: JL4410430011  
SUPPLY VOLTAGE: 24V

**934 713 004 0**



JIULONG NO.: JL3534GH  
PORTS: 1=M22X1.5  
21,22,23,24=M16X1.5,  
OPEN PRESS 21,22:6.5+0.5BAR  
23,24:6.5+1.0BAR  
NOTES: FORD CARGO

**934 714 140 0**



JIULONG NO.: JL3534AG  
OEM NO.: 20755195  
VOLVO: 21225479  
20382309  
20716313

**934 714 151 0**



JIULONG NO.: JL3534GC  
KIT NO.: 973 714 004 2

**934 714 161 0**

















JIULONG NO.: JL3534BK

**934 714 403 0**



JIULONG NO.: JL3534GP  
PORTS: ALL = M22X1.5, VOSS  
OPEN PRESS 21, 22, 24:  
6.9BAR, 23:  
7.0 BAR  
NOTES: MAN/BENZ

**FOOT BRAKE VALVE**

<p><b>MB4820 / MB4821 / MB4815</b></p>  <p>JIULONG NO.: JL3514AK/ JL3514AM/ JL3514AN NOTES: MAN</p>	<p><b>286773 / 286771 / 101818 / 288383</b></p>  <p>JIULONG NO.: JL3514BF JL3514BG JL3514BH JL3514BI ORG NO.: 286773 286771 101818 288383 KIT NO.: 289329</p>	<p><b>2295001 / 229501 / 277863 / 278998</b></p>  <p>JIULONG NO.: JL3514BB JL3514BC JL3514BD JL3514BE KIT NO.: 289329</p>
<p><b>229501(E-3)</b></p>  <p>JIULONG NO.: JL3514BJ</p>	<p><b>286171</b></p>  <p>JIULONG NO.: JL3514CD ORG NO.: 241-02904 (without pedals) JIULONG NO.: JL3514CI ORG NO.: 45101-00Z62</p>	<p><b>286171</b></p>  <p>JIULONG NO.: JL3514AZ KIT NO.: 287368 NOTES: AMERICAN TRUCK</p>
<p><b>286171 (WITH PEDAL)</b></p>  <p>JIULONG NO.: JL3514BA</p>	<p><b>MC838211 (WITH PEDAL)</b></p>  <p>JIULONG NO.: JL3514CJ</p>	<p><b>286171</b></p>  <p>JIULONG NO.: JL3514BW ORG NO.: 241-02903 JIULONG NO.: JL3514DG ORG NO.: 47150-2301 JIULONG NO.: JL3514DH ORG NO.: 47160-2041 JIULONG NO.: JL3514CX ORG NO.: 47160-2452</p>
<p><b>47160-3311</b></p>  <p>JIULONG NO.: JL3514CW</p>	<p><b>MC838211</b></p>  <p>JIULONG NO.: JL3514CV</p>	<p><b>MC838211</b></p>  <p>JIULONG NO.: JL3514AY</p>
<p><b>MC807291</b></p>  <p>JIULONG NO.: JL3514BW</p>	<p><b>800629</b></p>  <p>JIULONG NO.: JL3514BK</p>	<p><b>284760</b></p>  <p>JIULONG NO.: JL3514EX</p>

**HAND BRAKE VALVE**

<p><b>APSA5890</b></p>  <p>JIULONG NO.: JL3526BP PORTS: 1/4"NPT NOTES: BENZ</p>	<p><b>961 701 100 0 / 961 701 110 0</b></p>  <p>JIULONG NO.: JL3526AP JL3526AQ PORTS: 1,2=M14X1.5</p>	<p><b>961 702 001 0</b></p>  <p>JIULONG NO.: JL3526BT PORTS: 1, 2=M14X1.5 NOTES: DAF/IVECO/VOLVO</p>
--	--	---

**HAND BRAKE VALVE**

<p><b>961 722 150 0</b></p>  <p>JIULONG NO.: JL3526BW PORTS: 1,2 M14X1.5 SCANIA: 436190</p>	<p><b>961 722 168 0</b></p>  <p>JIULONG NO.: JL3526AI KIT NO.: 961 722 002 2</p>	<p><b>961 722 212 0</b></p>  <p>JIULONG NO.: JL3526AJ KIT NO.: 961722 003 2 DAF: 1518221 0004309581 NOTES: BENZ</p>
<p><b>961 723 001 0</b></p>  <p>JIULONG NO.: JL3526AL PORTS: 1,2= M16X1.5 PARKER NOTES: DAF/ MAN</p>	<p><b>961 723 004 0</b></p>  <p>JIULONG NO.: JL3526BR PORTS: 1,2 =M16X1.5 NOTES: DAF/ VOLVO</p>	<p><b>961 723 022 0</b></p>  <p>JIULONG NO.: JL3526BY OEM NO.: DAF: 1276198</p>
<p><b>961 723 100 0</b></p>  <p>JIULONG NO.: JL3526BS PORTS: 1, 21, 22=M16X1.5 DAF/MAN 81523156113</p>	<p><b>961 723 118 0</b></p>  <p>JIULONG NO.: JL3526AT PORTS: 1, 21,22, M16X1.5 NOTES: DAF/MAN</p>	<p><b>961 723 104 0</b></p>  <p>JIULONG NO.: JL3526AO PORTS: 3XM16X1.5 NOTES: BENZ 0024307581 DAF: 1518235</p>
<p><b>961 723 122 0</b></p>  <p>JIULONG NO.: JL3526BI PORTS: 3XM16X1.5 NOTES: DAF/SCANIA</p>	<p><b>961 723 125 0</b></p>  <p>JIULONG NO.: JL3526BO PORTS: ALL M16X1.5 NOTES: BENZ 0034307381 DAF: 1519266</p>	<p><b>961 723 421 0</b></p>  <p>JIULONG NO.: JL3526EO-1 OEM NO.: A0034305981 A0034305981007 A0034305981Z007</p>
<p><b>961 724 208 0</b></p>  <p>JIULONG NO.: JL3526FZ OEM NO.: 1882111</p>	<p><b>DPM60EY</b></p>  <p>JIULONG NO.: JL3526CO OEM NO.: 41211341</p>	<p><b>DPM63AX</b></p>  <p>JIULONG NO.: JL3526CR OEM NO.: 5010485059 VOLVO: 570866 469271</p>
<p><b>DPM66A</b></p>  <p>JIULONG NO.: JL3526BT VOLVO: A0004200284 K038808</p>	<p><b>DPM90DA</b></p>  <p>JIULONG NO.: JL3526CG-1 OEM NO.: 1389075</p>	<p><b>DPM 94AAX / DPM 95AAX</b></p>  <p>JIULONG NO.: JL3526DC PORTS: 2XM16X1.5 NOTES: DAF/ IVECO /VOLVO JIULONG NO.: JL3526DD PORTS: 3XM16X1.5 NOTES: DAF/ IVECO / VOLVO</p>

**RELAY VALVE**

**RELAY VALVE**

JIULONG NO.: JL3518EN  
ORG NO.: 4721950310

**RELAY VALVE**

JIULONG NO.: JL3518EN-1  
ORG NO.: 4721950330

**RELAY VALVE**

JIULONG NO.: JL3518AF  
ORG NO.: 473 017 030 0  
KIT NO.: 473 017 000 2

**EMPTY-LOAD VALVE**

JIULONG NO.: JL3518CG  
ORG NO.: 475 604 0110  
KIT NO.: 973 002 003 2  
PORTS: 1,2=M22X1.5  
NOTES: SCANIA

**PROPORTIONAL RELAY VALVE**

JIULONG NO.: JL3518C  
ORG NO.: 4802020040  
JIULONG NO.: JL3518CJ-1  
ORG NO.: 4802020090

**RELEASE VALVE**

JIULONG NO.: JL3518  
DRG NO.: 963 006 001 0  
OEM NO.: AE4200 207002001  
PORTS: ALL M16X1.5

**RELEASE VALVE**

JIULONG NO.: JL3518DR-1  
ORG NO.: 9630060030  
OEM NO.: DAF: 867882  
0867882  
SCANIA: 1912350

**TRAILER RELEASE VALVE**

JIULONG NO.: JL3518TRV  
ORG NO.: 9630010130  
OEM NO.: 82523106008  
BPW 8.283.706.0.0  
PORTS: 1=M22X1.5 2=021.5

**RELAY VALVE**

JIULONG NO.: JL3518CD  
ORG NO.: 971 002 152 0

**RELAY VALVE**

JIULONG NO.: JL3518BR-1  
ORG NO.: 9710026200

**RELAY VALVE**

JIULONG NO.: JL3518BJ-1  
ORG NO.: 9710027000

**RELAY EMERGENCY VALVE WITH RELEASE**

JIULONG NO.: JL3518BI  
ORG NO.: 971 002 3040  
PORTS: ALL M22X1.5  
NOTES: ADJUSTABLE 0-1 BAR  
JIULONG NO.: JL3518BJ  
ORG NO.: 971 002 300 0  
PORTS: 4=M16X1.5, ALL M22X1.5  
NOTES: ADJUSTABLE 0-1 BAR

**RELAY EMERGENCY VALVE WITH RELEASE**

JIULONG NO.: JL3518BH  
ORG NO.: 971 002 530 0  
OE NO.: AS3100  
350026002  
815808

**RELAY EMERGENCY VALVE WITH RELEASE**

JIULONG NO.: JLJT3518BL  
ORG NO.: 971 002 547 0  
OEM NO.: 1519305  
5000809875

**RELAY VALVE**

JIULONG NO.: JL3518AG  
ORG NO.: 973 0010100  
PORTS: 1=M22X1.5 2,4=M22X1.5  
NOTES: SANP ON EXHAUST  
JIULONG NO.: JL3518-34  
ORG NO.: 973 0010200  
PORTS: 1=M22X1.5,2,4=M16X1.5  
NOTES: FAST RESPONSE

**RELAY VALVE**

JIULONG NO.: JL3518ZD  
ORG NO.: 973 001 019 0  
PORTS: 1=3/8"NPT  
2=1/2"NPT  
4=1/4"NPT

**RELAY VALVE**

JIULONG NO.: JL3518SA  
ORG NO.: 973 006 000 0  
PORTS: 4,21,22= M16X1.5,  
1=M22X1.5

**RELAY VALVE**

JIULONG NO.: JL3518SB  
ORG NO.: 9730060010  
PORTS: 4=M16X1.5,  
1,21,22=M22X1.5

**GLAND HAND**


A1



A2



A3



A4

Item No.	KA No.	Ref No.	Contifurations	Material	Seal	Filter
A1	KA3521DB	12-006	Universal Standard	Aluminum	Black Rubber Seal	NO
A2	KA3521DC	12-010	Emergency Standard	Aluminum	Black Rubber Seal	NO
A3	KA3521DA	12-008	Service Standard	Aluminum	Black Rubber Seal	NO
A4	KA3521EA	12-012	Universal Standard	Aluminum	Black Rubber Seal	NO



B1



B2



B3



B4

Item No.	KA No.	Original No.	Ports	Characteristic
B1	KA3521EW	424 801 130	M22 x 1.5	With Check
B2	KA3521EO	424 801 140	M22 x 1.5	Without Check
B3	KA3521AA	334 026 011	M22 x 1.5	Red Without Check
B4	KA3521AF	334 026 031	M16 x 1.5	Yellow Without Check

**TRAILER CABLE**


JLTC10000



JLTC10001



JLTC10002

Item No.	Name	Material	Length	Description
JLTC10000	3-in-1 ABS Air Power Line	Copper	8/10/12/15FT	Red & Blue Hose, Green & Yellow Cable
JLTC10001	2-in-1 Air Power Line	PVC	8/10/12/15FT	Red & Blue Hose
JLTC10002	4-in-1 Trailer Air Electric Line	Copper	8/10/12/15FT	Red & Blue Hose, Green & Yellow Cable

**ELECTRIC CABLE**



JLEC10000



JLEC10001



JLEC10002

Item No.	Name	Material	Length	Color
JLEC10000	7-Way Coiled Trailer Cable	TPU & Oxygen-Free Copper	7x1.5-15FT	Green Color
JLEC10001	7-Way Coiled Trailer Cable	TPU & Oxygen-Free Copper	7x1.5-15FT	Black Color
JLEC10002	7-Way Cable Copper Wire	Copper Wire	2x10/3x10/7x10AWG	Black Color

**CABLE AND PLUG ASSEMBLY**



C1



C2



C3



C4

Item No.	KA No.	Material	Plug	Working Length
C1	KA3618-P2-L	PA	Aluminum 7 Pin	5.5M
C2	KA3618-D2-P	PU	Plastic 5 Pin	4.5M
C3	KA3618-M1-D	PU	Plastic 15 Pin	4.5M
C4	KA3618-A2-L	PU	Aluminum 7 Pin	4.5M



D1



D2



D3



D4

Item No.	KA No.	Material	Plug	Working Length
D1	KA3618-A1-P	PU	Plastic 7 Pin	4.5M
D2	KA3618-A5-V	PU	Plastic 7 Pin	4.5M
D3	KA3618-C1-S	PU	Plastic 15 Pin	4.5M
D4	KA3618-D3-Q	PU	Plastic 7 Pin	4.5M

**AIR COILS ASSEMBLY (PU)**



**PU MATERIAL PROPERTIES:**



Blasting Pressure  
30BAR



Temperature  
-20°C ~ 70 °C



Elasticity  
★★



Ultraviolet Rays  
★★★

KA No.:	ROLLS O.D.	TURNS	WORKING LENGTH	COLOR	FITTING SIZE	SLEEVE
KA3628U2-RBS	80mm	26	4 m	Red	M22 x 1.5	Spring
KA3628U2-RSS	80mm	26	4 m	Red	M16 x 1.5	Spring
KA3628U2-YBS	80mm	26	4 m	Yellow	M22 x 1.5	Spring
KA3628U2-YSS	80mm	26	4 m	Yellow	M16 x 1.5	Spring
KA3628U3-RBS	80mm	28	4.5 m	Red	M22 x 1.5	Spring
KA3628U3-RSS	80mm	28	4.5 m	Red	M16 x 1.5	Spring
KA3628U3-YBS	80mm	28	4.5 m	Yellow	M22 x 1.5	Spring
KA3628U3-YSS	80mm	28	4.5 m	Yellow	M16 x 1.5	Spring
KA3628U4-RBS	80mm	32	5.5 m	Red	M22 x 1.5	Red Plastic
KA3628U4-RSS	80mm	32	5.5 m	Red	M16 x 1.5	Spring
KA3628U4-YBS	80mm	32	5.5 m	Yellow	M22 x 1.5	Spring
KA3628U4-YSS	80mm	32	5.5 m	Yellow	M16 x 1.5	Spring
KA3628U5-RBS	80mm	41	7.5 m	Red	M22 x 1.5	Spring
KA3628U5-RSS	80mm	14	7.5 m	Red	M16 x 1.5	Spring
KA3628U5-YBS	80mm	14	7.5 m	Yellow	M22 x 1.5	Spring
KA3628U5-YSS	80mm	14	7.5 m	Yellow	M16 x 1.5	Spring

**MUD FLAP BRACKET**



PN-3-C-001-BK



PN-3-C-001-CH



PN-3-C-003-BK



PN-3-C-002-BK



PN-3-C-002-CH



PN-3-C-007-BK



PN-3-C-004-BK



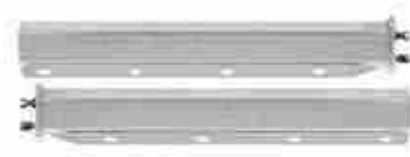
PN-3-C-004-CH



PN-3-C-005-CH



PN-3-C-007-CH



PN-3-C-008-CH



PN-3-C-017



QFSW-C271



QFSW-C271-CH



PN-3-C-016-1

**MUDGUARD**



JLMG001



JLMG002



JLMG003



JLMG004



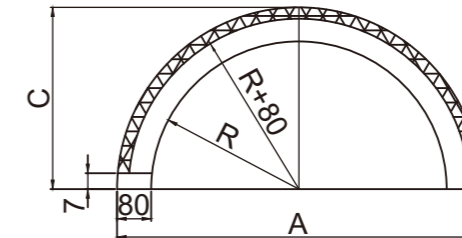
JLMG005



JLMG006



JLMG007



Dimension \ Type		JLMG001	JLMG002	JLMG003	JLMG004	JLMG005	JLMG006	JLMG007
Radius	R	580	580	610	680	580	480	580
Length	A	1270	1270	1400	1270	1270	635	1270
Width	B	640	680	640	680	640	654	520
Height	C	640	680	700	680	680	77	640

**MUDGUARD PARTS**



JLMP001



JLMP002



JLMP003



JLMP004

**DEER GUARD**



Item No.	Description	Per Set Volume (CBM, KG)
JLDG001A	2.0mm 201 & 304 Stainless Steel Truck Deer Guard	0.35 CBM, 45 KG
JLDG001B	2.0mm 201 Black Truck Deer Guard	0.35 CBM, 45 KG
JLDG001C	2.0mm Q235A Black with 3.0mm PVC Rubber	0.43 CBM, 75 KG



Item No.	Description	Per Set Volume (CBM, KG)
JLDG002A	2.0mm Q235A & 201 Stainless Steel Truck Deer Guard	0.4 CBM, 75 KG
JLDG002B	2.0mm Q235A & 201 Stainless Steel Truck Deer Guard	0.45 CBM, 75 KG
JLDG002C	2.0mm Q235A & 201 Stainless Steel Truck Deer Guard	0.56 CBM, 75 KG



Item No.	Description	Per Set Volume (CBM, KG)
JLDG003	2.0mm 201 & 304 Stainless Steel Truck Deer Guard	0.4 CBM, 48 KG
JLDG004	304 Triangular Tube Stainless Steel Truck Deer Guard	0.25 CBM, 30 KG
JLDG005	304 Stainless Steel Truck Deer Guard	0.55 CBM, 36 KG

**WHEEL HUB**



5.5-16



6.75x17.5



6.75x22.5



7.5-15



8.25x22.5



8.25x22.5-2



8.25x24.5



R-8.25x22.5



9.00x22.5

**ALUMINUM TRUCK WHEEL RIMS**


Size	Bolt No.	Bolt Dia	Bolt Hole	P.C.D	C.B.D	Offset	Rec.Tyre
17.5x6.00	5	SR22	29	203.2	146	135	8R17.5
	5	SR22	32.5	203.2	146	127	
	5	SR22	32.5	208	150	135	
	6	C1	26.75	205	161	135	
	6	SR22	32.5	222.25	164	135	
	10	C1	26.5	225	176	141	
17.5x6.75	6	SR22	32.5	222.25	164	137	9R17.5
	6	C1	21.5	205	161	141	
	8	C1	26.5	275	221	141	
	10	C1	26.5	225	176	141	
19.5x6.00	6	SR22	32.5	222.25	165	136	8R19.5
	8	C1	15	225	170	136	
	8	C1	16	165	121	136	
	10	C1	16	225	170	136	
19.5x6.75	6	SR22	32.5	222.25	164	136/141	225/70R19.5
	6	C1	26	205	161	141	
	8	C1	26.5	275	221	141	
	8	SR22	32.5	285	221	141	
	10	C1	26.5	225	176	142	
19.5x7.50	6	SR22/C1	32.5/26	222.25	164/161	116/156	225/70R19.5 245/70R19.5
	8	C1	26	275	221	116	
	8	SR22	32.5	275	221	156	
	10	C1	26.5	285.75	220	156	
22.5x7.50	8	C1	26.5/24	275	221	160	245/75R22.5
	8	SR22	32.5/26.5	285	221	162	
	10	C1	26.5	335	281	160/162	
	10	C1	26	285.75	220	160	
22.5x8.25	8	SR22	32.5	285	221	168	11R22.5
	10	C1	26.5	285.75	220/221	168	
	10	C1	26.5	335	281	168	
	10	SR22	32.5	285.75	220/222	168	
	10	C1	26.5	335	281	ET71.5	Front Wheel
	10	C1	26.5	285.75	220.2	ET71.5	
	10	SR22	32.5	285.75	222.2	ET71.5	
22.5x9.00	8	SR22	32.5	285	221	176	12R22.5
	10	SR22/C1	32.5/26.5	335	281	176	
	10	C1	26.5	285.75	220	176	
	10	SR22	32.5	285.75	222	176	Front Wheel
	8	SR22	32.5	285	221	ET79	
	10	SR22/C1	32.5/26.5	335	281	ET79	
	10	C1	26.5	285.75	220	ET79	
	10	SR22	32.5	285.75	222	ET79	
22.5x11.75	8	C1	32.5	285	221	ET120/0	38565R22.5
	8	C1	32.5	275	221	ET120/0	
	10	C1	26.5	335	281	ET120/0	
	10	SR22	32.5	285.75	220	ET120/0	
24.5x8.25	8	C1	26	275	221	168	285/75R24.5
	10	C1	26	285.75	220	168	
	10	SR22	32.5	285.75	221	168	

**TUBELESS TRUCK WHEEL RIMS**

Size	Bolt No.	Bolt Dia	Bolt Hole	P.C.D	C.B.D	Offset	Rec.Tyre
17.5x6.00	5	32.5	SR22	208	150	125/135	205/75R17.5 215/75R17.5 225/75R17.5 8R17.5
	5	32.5	SR22	203.2	146	125/135	
	6	32.5	SR22	222.25	163/164	130/135	
	10	26	1*45	225	176	130/140	
17.5x6.75	5	32.5	SR22	203.2	146	135	225/75R17.5 235/75R17.5 9R17.5
	6	32.5	SR22	222.25	164	135/140	
	10	26	145	225	176	135/140	
19.5x6.00	6	32.5	SR22	222.25	164	135	8R19.5 215/75R19.5 235/75R19.5
	8	26	1*45	275	221	135	
19.5x6.75	6	32.5	SR22	222.25	164	140	9R19.5 215/75R19.5 235/75R19.5 245/70R19.5 165/70R19.5
	8	32.5	SR22	285	221	140	
	8	26/27	1*45/SR18	275	221	145	
19.5x7.50	6	32.5	SR22	222.25	164	152/110	10R19.5 245/75R19.5 265/75R19.5 285/75R19.5
	8	26/27	1*45/SR18	275	221	152/156/0	
	10	26/27	SR18	225	176	150	
19.5x8.25	6	21.5	SR16	205	161	0	10R19.5 245/75R19.5 265/75R19.5 285/75R19.5 305/75R19.5
	8	21.5/26	1*45	275	221	160/0	
	10	27	SR18	225	176	160	
22.5x6.00	6	32.5	SR22	222.25	164	138/135	8R22.5
	8	32.5	SR22	275	214	133	
	8	32.5	SR22	285	221	138	
	10	26	145	335	281	138	
	10	26/27	1*45/SR18	225	176	135/138	
22.5x6.75	6	32.5	SR22	222.25	164	158	9R22.5 10R22.5 225/70R22.5
	8	32	SR22	275	214	152	
	8	26/27	1*45/SR18	275	214	152	
	8	24.5/26/27	1*45/SR18	275	221	152/143	
	8	32.5	SR22	285	221	152	
22.5x7.50	10	26/27	1*45/SR18	335	281	142/165	10R22.5 11R22.5 225/70R22.5 265/70R22.5 275/80R22.5
	6	32.5	SR22	222.25	164	110/190	
	8	24.5/26/27	1*45/SR18	275	221	158/160/165	
	8	32.5	SR22	275	214	152	
	10	26/27	1*45/SR18	335	281	162/165/155	
	10	26	1*45	285.75	220	152	
22.5x8.25	10	32.5	SR22	285.75	222	152	

**TUBELESS TRUCK WHEEL RIMS**

Size	Bolt No.	Bolt Dia	Bolt Hole	P.C.D	C.B.D	Offset	Rec. Tyre
22.5x8.25	8	32.5	SR22	275/285	221	165/168/169	11R22.5 12R22.5 225/70R22.5 275/70R22.5 295/75R22.5 295/80R22.5
	8	32.5	SR22	275	214	165/168/169	
	10	26	1*45	335	281	165/168/169	
	10	32.5	SR22	285.75	222	165/168/169	
	10	26	1*45	285.75	220	165/168/169	
24.5x8.25	8	26	1*45	275	221	165/169	11R24.5
	8	32.5	SR22	285	221	165/169	
	8	32.5	SR22	275	214	165/169	
	10	26/27	1*45/SR18	335	281	165/168/169	
	10	26	1*45	285.75	220	169	
	10	32.5	SR22	285.75	222	169	
22.5x9.00	10	26	1*45	335	281	0/120	Front Wheel
	8	32.5	SR22	275	214	175	12R22.5 13R22.5 285/60R22.5 295/60R22.5 305/70R22.5 315/80R22.5
	8	32.5	SR22	285	221	175	
	8	26/27	1*45	275	221/214	175	
	10	26	1*45	285.75	220	175	
	10	26	1*45	335	281	175	
	10	26	1*45	335	281	175	
	10	32.5	SR22	285.75	222	175	
10	32.5	SR22	285.75	222	175		
22.5x11.75	8	26/27	1*45/SR18	275	221	0/120	15R22.5 385/65R22.5
	8	32.5	SR22	285	221	0/120	
	10	26/27	1*45/SR18	335	281	0/120	
	10	26	1*45	285.75	220	0/120	
	10	32.5	SR22	285.75	222	0/120	
22.5x13.00	8	32.5	SR22	285	221	115/0/120	18R22.5 425/65R22.5
	8	21.5	1*45/SR16	275	221	0/120	
	8	26/27	1*45/SR18	275	221	0/120	
	10	26/27	1*45/SR18	335	281	0/120/80	
22.5x14.00	8	26/27	1*45/SR18	275	221	0/120	445/65R22.5
	8	32.5	SR22	285	221	0/130	
	10	26/27	1*45/SR18	335	281	0/120	
	10	26	1*45	285.75	220	0/50/120	



**WHEEL SPACERE**



Item No.	PCD	Outer Diameter	Inner Diameter
1	4x100/4x108	150	67.1
2	4x108/4x100	150	74.1
3	4x114.3/4x100	150	78.1
4	4x114.3/4x114.3	150	78.1
5	5x100/5x114.3	150	67.1
6	5x108/5x114.3	150	67.1
7	5x114.3/5x127	164	82.5
8	5x120.65/5x114.3	164	87.1
9	5x127/5x114.3	164	87.1
10	5x127/5x127	164	87.1
11	6x114.3/6x114.3	150	64
12	5x139.7/5x139.7	176	108
13	6x139.7/6x135	176	108

**BRAKE SHOE KITS**



**PLASTIC WHEEL CHOCKS**



Item No.	JLPWC-02P TPR
Dimension	L/W/H=210x87.5x100mm
Working Width	87.5mm
N.W/G.W	0.8kg/0.93kg/pair
Packing	2pcs/ctn,21x17.5x10cm



Item No.	JLPWC-04P
Dimension	L/W/H=208x153x113mm
Working Width	153mm
N.W/G.W	0.43kg/0.58kg/pair
Packing	2pcs/ctn,22.5x14.5x15.5cm



Item No.	JLPWC-05P
Dimension	L/W/H=450x206x116mm
N.W/G.W	38kg/1.58kg/pair
Packing	2pcs/ctn,32x22x14cm
Remark	Interlock Design For Tandem Wheel



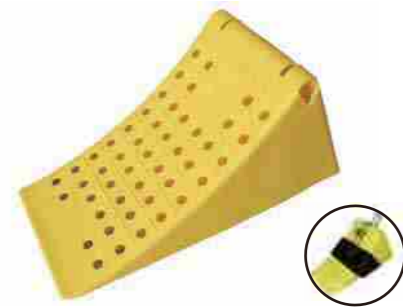
Item No.	JLPWC-06P
Dimension	L/W/H=150x80x100mm
N.W/G.W	0.5kg/0.6kg/pair
Packing	2pcs/ctn,22x15x10cm



Item No.	JLPWC-07PS
Dimension	L/W/H=149x89x96mm
Working Width	89mm
N.W/G.W	0.43kg/pair
Packing	2pcs/ctn,17x12x10.5cm



Item No.	JLPWC-10P
Dimension	L/W/H=219x123x106mm
Working Width	123mm
N.W/G.W	0.64kg/0.76kg/pair
Packing	2pcs/ctn,13.5x22.5x14cm



(Optional 2)

Item No.	JLPWC-03P
Dimension	L/W/H=470x200x230mm
N.W/G.W	1.72kg/pc/14kg
Packing	8pcs/ctn,43x45.5x57cm
Remark	Meet with DIN76051-53
Load capacity	30T



Item No.	JLPWC-03PH Steel Holder
Dimension	L/W/H= 320x210x250mm
N.W	1.1kg/pc
Packing	10pcs/ctn, 43x45.5x57cm
Remark	Fit for GT-03P/GT-08P



Item No.	JLPWC-01UH Steel Holder
Dimension	L/W/H=140x185x100mm
N.W	0.27kg/pc
Packing	15pcs/ctn,55x20x12cm
Iron Sheet Thickness	0.7/0.8mm
Remark	Fit for GT-01U 200x174x147mm

**CONTAINER LOCK**



JLCL01



JLCL02



JLCL03



JLCL04



JLCL05



JLCL06



JLCL07



JLCL08



JLCL09



JLCL10



JLCL11



JLCL12



JLCL13



JLCL14

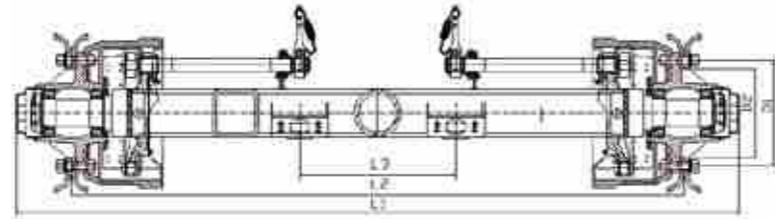


JLCL15



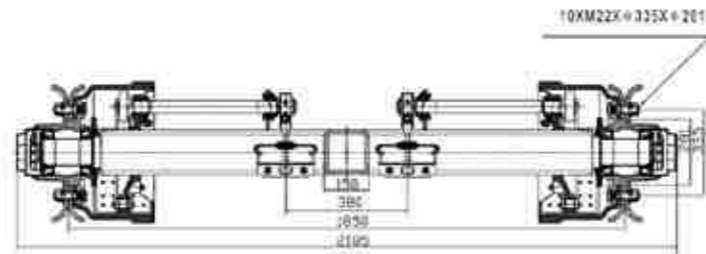
JLCL16

**AXLE**



**German Drum Series Axle**

Item No.	Capacity (T)	Track (mm)	Axle Beam (mm)	Center Distance Of Chamber (mm)	Brakespec. (mm)	Wheel Fixing (mm)	Wheel Rim	Total Length (mm)	Weight (Kg)	Bearing
		L2		L3		D1xD2		L1		Inner/outer
JLGDA10	10	1840	□ 150	421	S 420x180	10xM22xΦ335xΦ281	7.5V-20	2160	360	33118/33213
JLGDA12	12	1840	□ 150	421	S 420x180	10xM22xΦ287.75xΦ220	7.5V-20	2172	360	33118/33213
JLGDA14	14	1840	□ 150	429	S 420x200	10xM22xΦ335xΦ281	7.5V-20	2245	420	32219/33215
JLGDA16	16	1840	□ 150	243	S 420x200	10xM22xΦ335xΦ281	8.00V-20	2245	460	32222/32314
JLGDA18	18	1840	□ 150	263	S 420x220	10xM22xΦ285.75xΦ220	8.50V-20	2245	540	32222/32314



**American Inboard And Outboard Series Axle**

Item No.	Capacity (T)	Track (mm)	Axle Beam (mm)	Center Distance Of Chamber (mm)	Brakespec. (mm)	Wheel Fixing (mm)	Wheel Rim	Total Length (mm)	Weight (Kg)	Bearing
		L2		L3		D1xD2		L1		Inner/outer
JLADA08	8	1850	◇127	428	S 420x150	8xM22xΦ335xΦ281	7.5V-20	2145	320	33215/33213
JLADA11	11	1820	◇127	362	S 420x180	10xM22xΦ285.75xΦ221	6.5-16	2160	358	HM518445/10
JLADA13	13	1840	◇127/□150	390	S 420x180	10xM22xΦ335xΦ281	7.5V-20	2180	360	HM518445/10
JLADA13	14	1840	◇127/□150	342	S 420x180	10xM22xΦ335xΦ281	8.0V-20	2180	380	HM518445/10
JLADA15	15	1850	◇127/□150	396	S 420x180	10xM22xΦ335xΦ281	8.0V-20	2185	382	HM518445/10 HM220149/10
JLADA16	16	1850	◇127/□150	354	S 420x220	10xM22xΦ335xΦ281	8.5V-20	2205	402	
JLADA20	20	1850	□150	345	S 420x220	10xM24xΦ335xΦ281	8.5V-20	2250	448	32222 HM518445/10

The track can be met according to customers' request.

**AMERICAN DRUM SERIES ACCESSORIES**



JLADSA-AF01.1P



JLADSA-AF01.1N



JLADSA-AF02.1P

**U-BOLT**



M22X1.5X132X355



M24x2x102x480



M24x2x103x500



M14X1.5X52X155

**WHEEL BOLT**



M22x1.5x4"



M22x1.5x4.5"



M22x1.5x5"



M22x1.5x5"

**BUSH & PIN**



JLBP-01



JLBP-02



JLBP-03

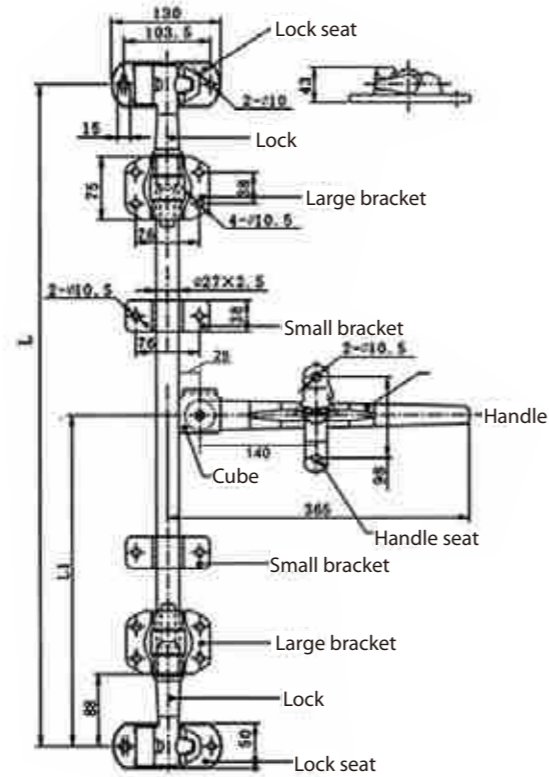


JLBP-04

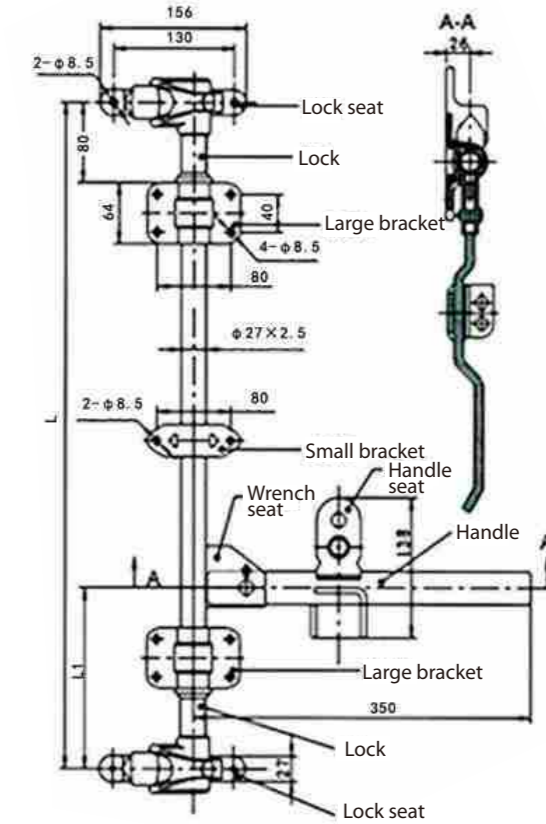


JLBP-05

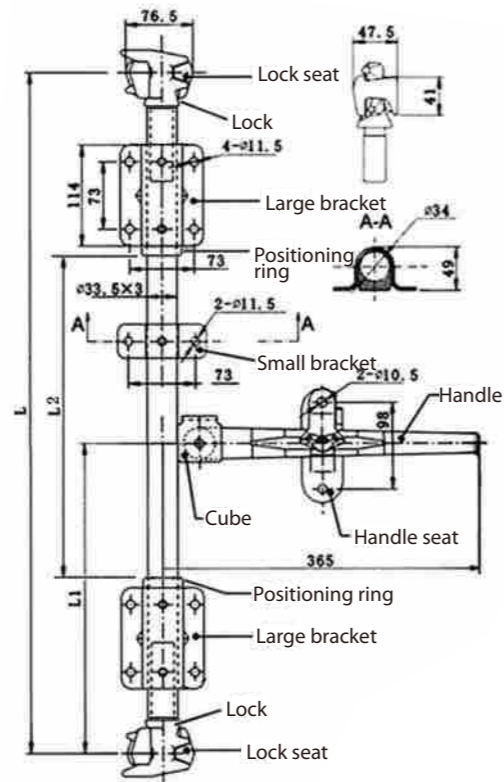
**DOOR GEAR SET**



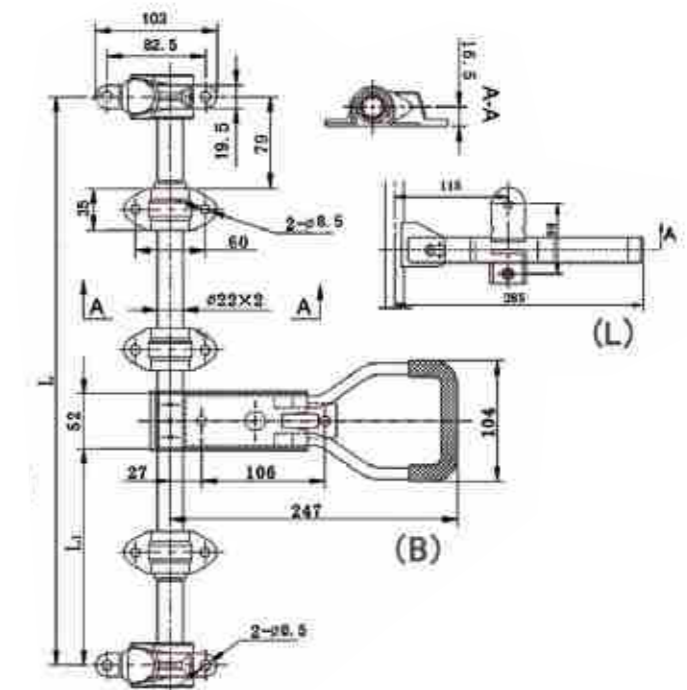
Item No.	Material	Weight	Surface Treatment
JLDG001	steel	5.5 kg	galvanizing



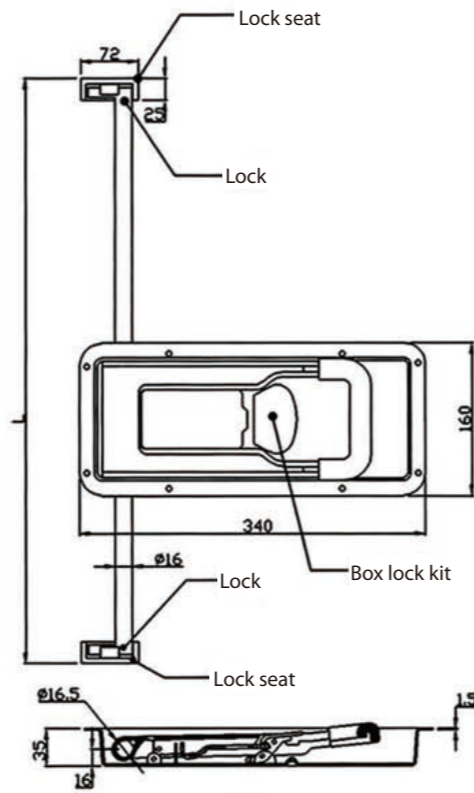
Item No.	Material	Weight	Surface Treatment
JLDG003	steel	4.8 kg	galvanizing
JLDG003S	stainless steel	4.6 kg	polishing



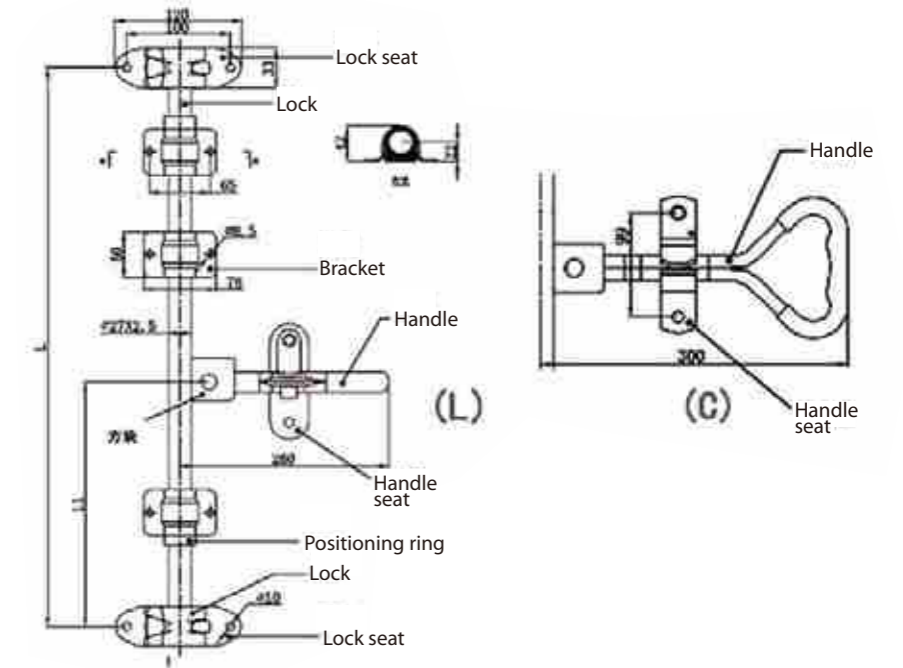
Item No.	Material	Weight	Surface Treatment
JLDG002	steel	4.6 kg	galvanizing



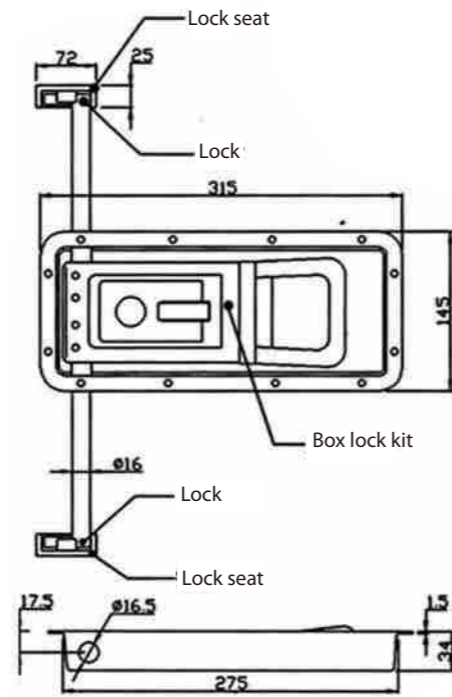
Item No.	Material	Weight	Surface Treatment
JLDG004	steel	2.35 kg(B)	galvanizing
JLDG0045	stainless steel	2.24 kg(L)	polishing



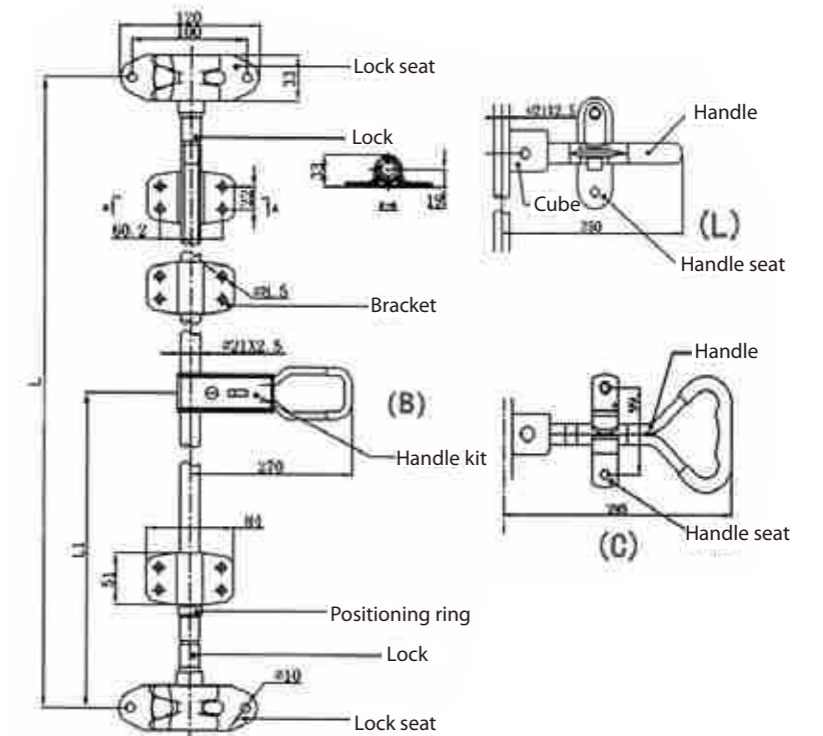
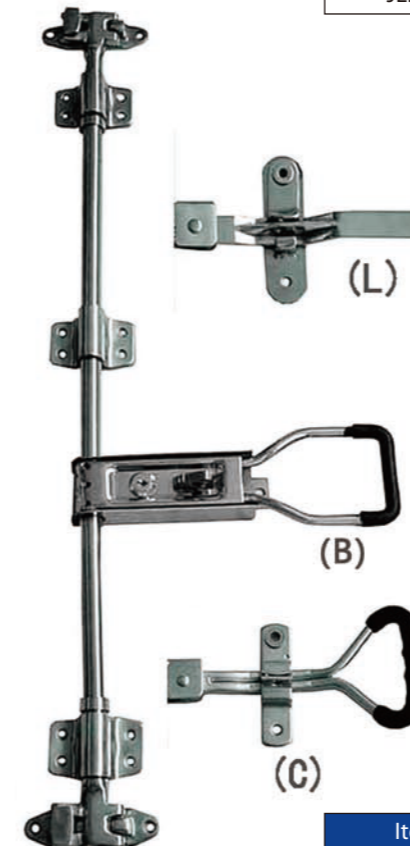
Item No.	Material	Weight	Surface Treatment
JLDG005	steel	2.3 kg	galvanizing
JLDG005S	stainless steel	2.15 kg	polishing



Item No.	Material	Weight	Surface Treatment
JLDG007	steel	2.6 kg	galvanizing
JLDG007S	stainless steel	2.45 kg	polishing



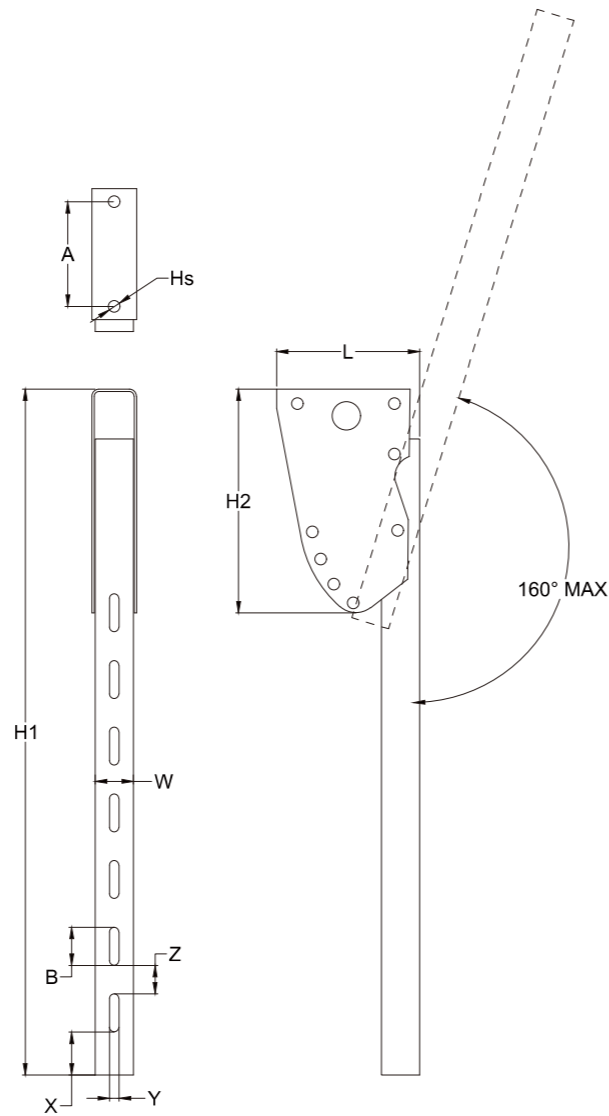
Item No.	Material	Weight	Surface Treatment
JLDG006	steel	3.3 kg	galvanizing
JLDG006S	stainless steel	2.9 kg	polishing



Item No.	Material	Weight	Surface Treatment
JLDG008	steel	2.6 kg/2.4 kg(L&C)	galvanizing
JLDG008S	stainless steel	2.8 kg/2.75 kg(B)	polishing

**HINGE-UP SIDE GUARD LEG**

- Suitable for trucks or trailers
- For under-body mounting
- Variable lift and pin options
- Zinc plated to BS EN 12329:2000
- Galvanised and Stainless options available
- Fixing kit supplied with Type 'A' version
- Front mounting channel for lateral rails is pre-punched with 10mm slotted holes



**Type 'A' Head**

Supplied with removable security lock pin with 'R' clip and PVC rope



**Type 'B' Head**

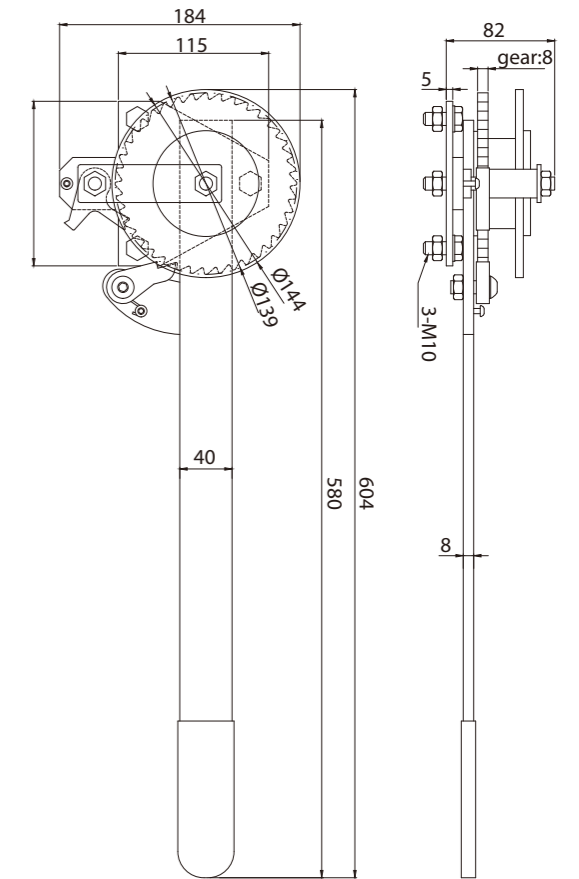
Supplied with removable security cotter pin



Item No.	Head Style	Thickness	L	W	H1	Hs	A	B	X	Y	Z	KGS
233064	B	2.5	150	40	460	12.5	110	40	45	10	30	1.92
233066	B	2.5	150	40	720	12.5	110	40	45	10	30	2.45
233067	A	2.5	150	50	740	12.5	110	30	23	10	50	3.50
233068	A	3	150	50	800	12.5	110	30	23	10	50	3.68

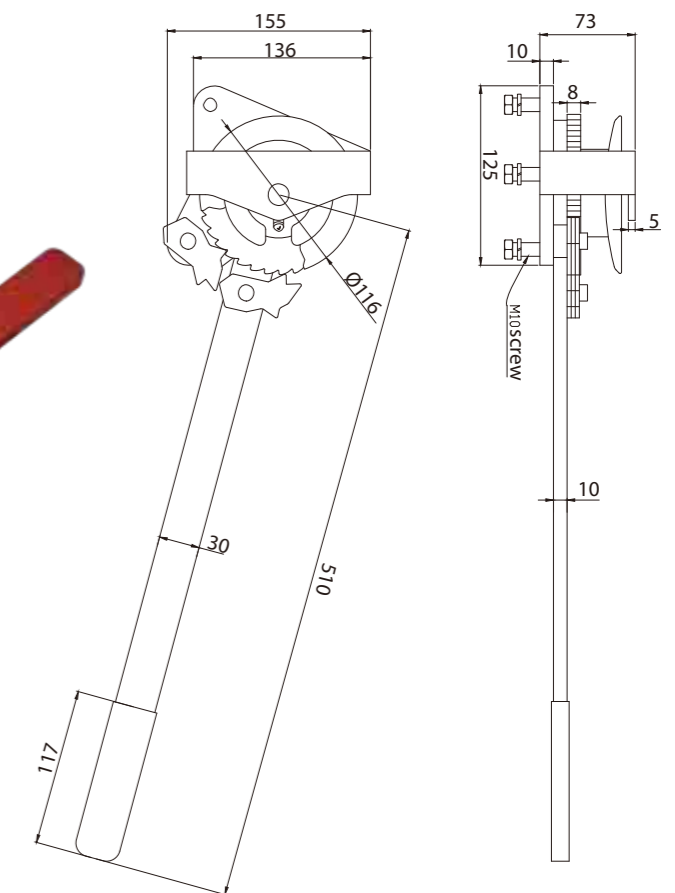
**HANDBRAKE TENSIONER**

- One-piece fabricated base plate
  - Available in left or right handed versions
  - Minimum maintenance required
  - PVC sleeve fitted as standard
  - Finish is BS EN 12329:2000 BZP
  - Powder coating to BS4950
- Item NO.:JL2274-1



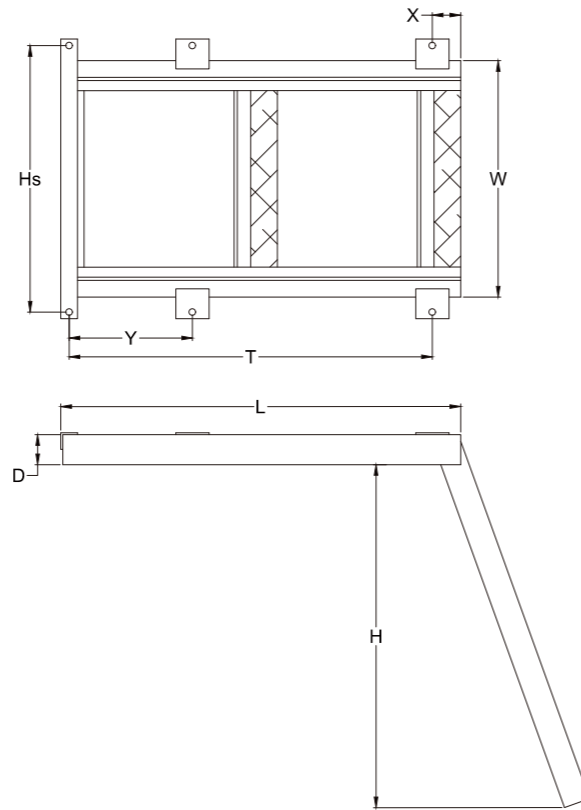
**HANDBRAKE TENSIONER**

- One-piece fabricated full body
  - Primarily right handed; left hand available on request
  - Minimum maintenance required
  - PVC sleeve fitted as standard
  - Finish is BS EN 12329:2000 BZP
  - Powder coating to BS4950
- Item NO.:JL2274



**2 RUNG PULL-OUT STEP**

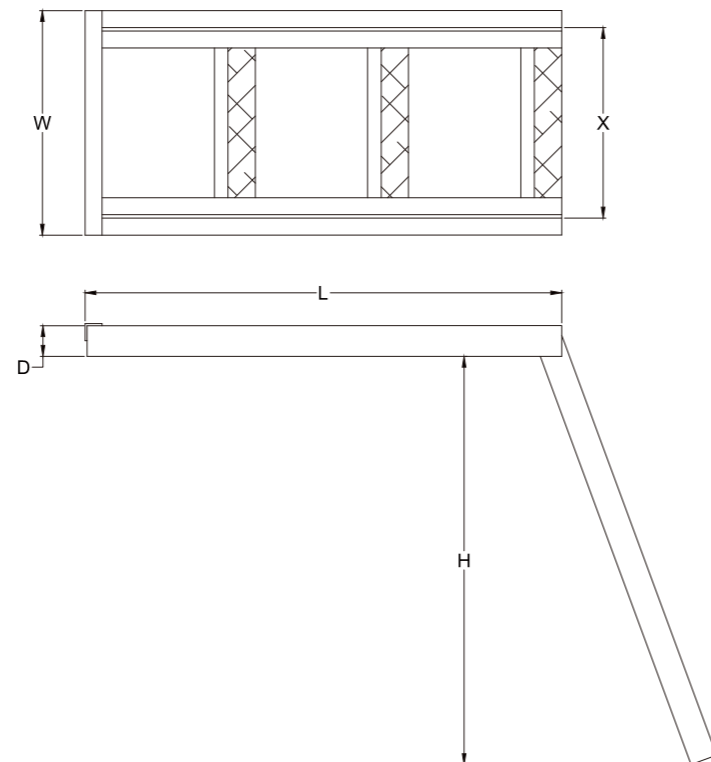
- Manufactured in steel
- Checker plate treads
- Unique transit latch for secure stowage
- Underbody fixing by means of 5 x 11mm holes
- Finish: Galvanised to ISO 1461



Item No.	L	W	H	T	D	D1	Hs	X	Y	KGS
JL237016G	600	355	515	545	45	10x15	390-400	50	185	6.6

**3 RUNG PULL-OUT STEP**

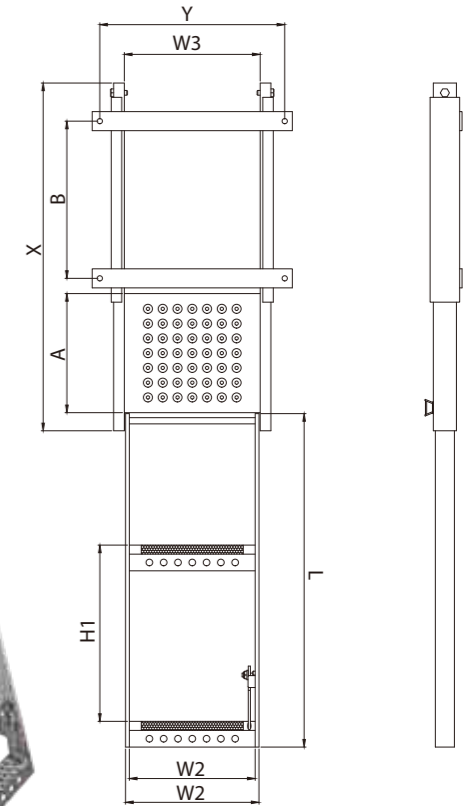
- Manufactured in steel
- Chequer plate treads
- Unique transit latch for secure stowage
- Under body fixing by means of welding to vehicles chassis
- Finish: Galvanised ISO 1461



Item No.	L	W	H	T	D	Hs	X	Y	KGS
JL237039G	700	330	600	/	45	/	280	/	6.6

**2 RUNG PULL-OUT PLATFORM STEP**

- All steel construction
- Punched tread and platform
- Transit latch for secure stowage
- Under-chassis fixing by means of 4 x M10 bolts, minimum Grade 8.8 (not supplied)
- Design Working Load: 1347 kgs
- Safe Working Load: 110 kgs
- Finish: Galvanised to ISO 1461

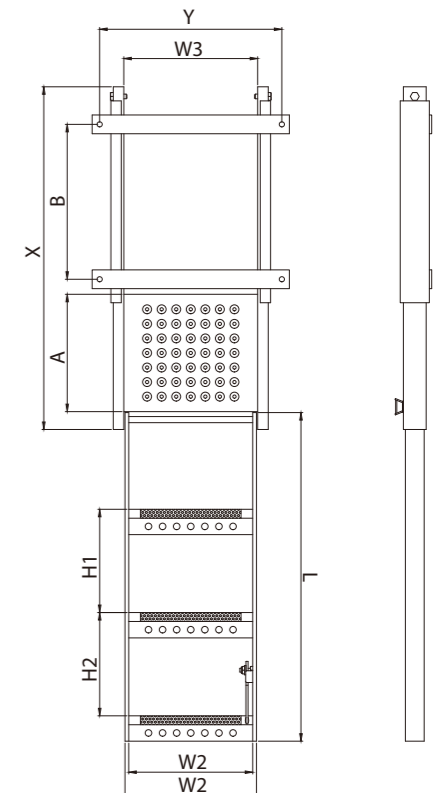


Modifying these steps from their original form will void the warranty.

Item No.	L	W1	W2	W3	H1	A	B	X	KGS
JL237005G	600	268	284	340	300	250	230	810	11.3

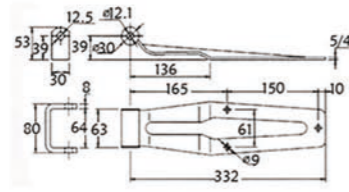
**3 RUNG PULL-OUT PLATFORM STEP**

- All steel construction
- Punched tread and platform
- Transit latch for secure stowage
- Under chassis fixing by means of 4 x M10 bolts, minimum 8.8 grade (not supplied)
- Safe working load: 110kgs
- Finish: Galvanised ISO 1461

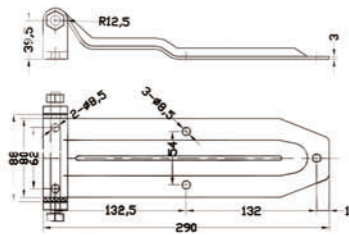


Modifying these steps from their original form will void the warranty.

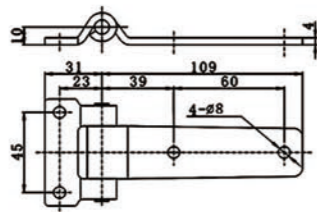
Item No.	L	W1	W2	W3	H1	H2	A	B	X	Y	KGS
JL237045G	800	800	268	284	330	280	280	220	825	395	16.0

**HINGE ASSEMBLY**


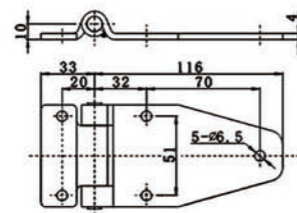
Item No.	JLHA001
Material	steel/stainless steel
Weight	1.027kg/0.998kg
Surface treatment	galvanizing/polishing



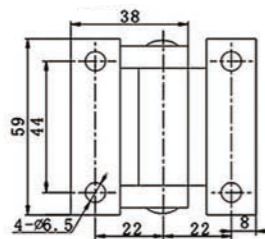
Item No.	JLHA002
Material	steel/stainless steel
Weight	1.04kg
Surface treatment	galvanizing/polishing



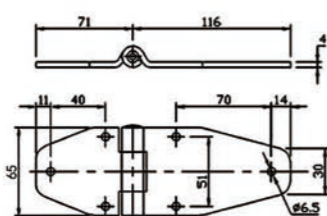
Item No.	JLHA003
Material	steel/stainless steel
Weight	0.206kg/0.196kg
Surface treatment	galvanizing/polishing



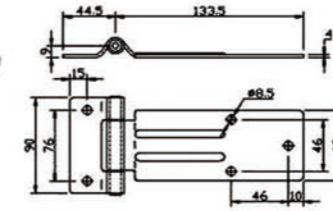
Item No.	JLHA004
Material	steel/stainless steel
Weight	0.326kg/0.316kg
Surface treatment	galvanizing/polishing



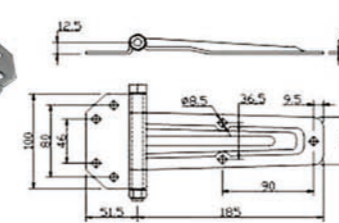
Item No.	JLHA005
Material	steel/stainless steel
Weight	0.146kg
Surface treatment	galvanizing/polishing



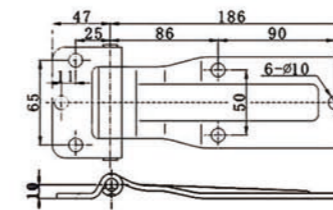
Item No.	JLHA006
Material	steel/stainless steel
Weight	0.504kg
Surface treatment	galvanizing/polishing

**HINGE ASSEMBLY**


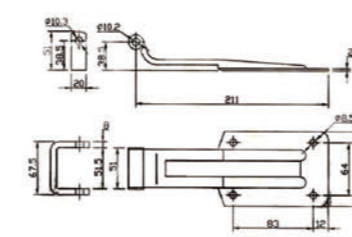
Item No.	JLHA007
Material	steel/stainless steel
Weight	0.45kg/0.44kg
Surface treatment	galvanizing/polishing



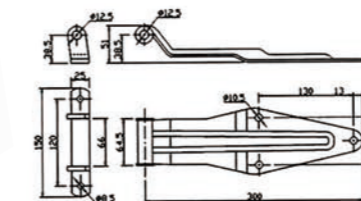
Item No.	JLHA008
Material	steel/stainless steel
Weight	0.467kg/0.438kg
Surface treatment	galvanizing/polishing



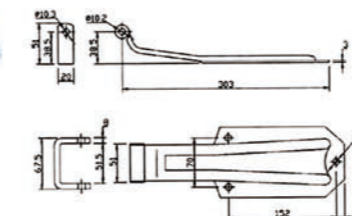
Item No.	JLHA009
Material	steel/stainless steel
Weight	0.582kg
Surface treatment	galvanizing/polishing



Item No.	JLHA010
Material	steel/stainless steel
Weight	0.69kg/0.585kg
Surface treatment	galvanizing/polishing



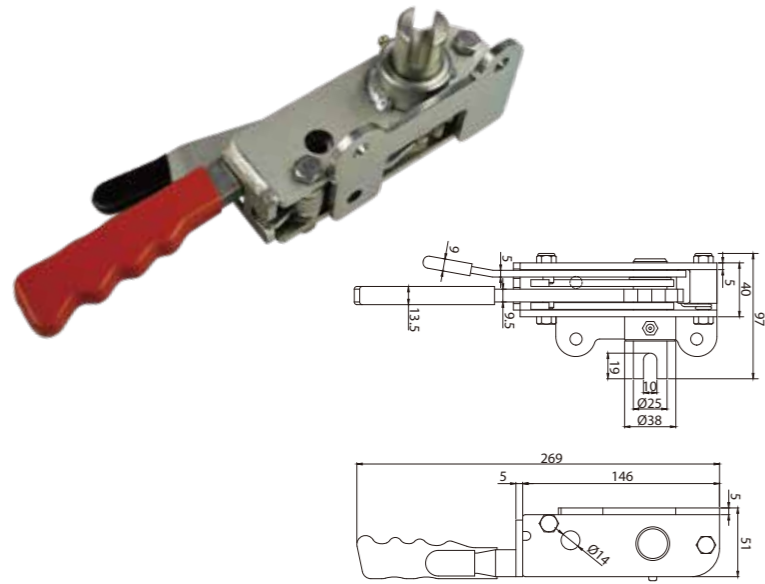
Item No.	JLHA011
Material	steel/stainless steel
Weight	0.9kg/0.95kg
Surface treatment	galvanizing/polishing



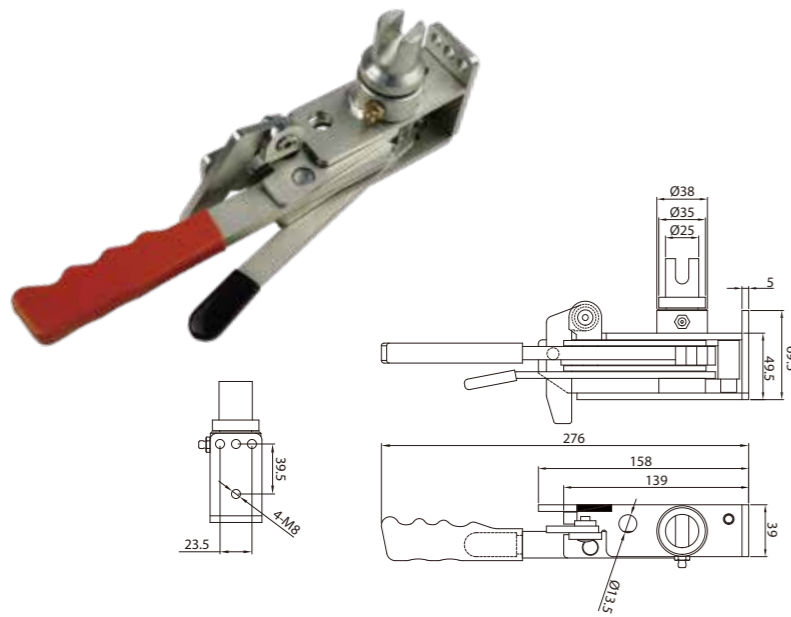
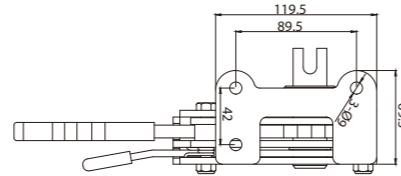
Item No.	JLHA012
Material	steel/stainless steel
Weight	0.98kg/0.87kg
Surface treatment	galvanizing/polishing



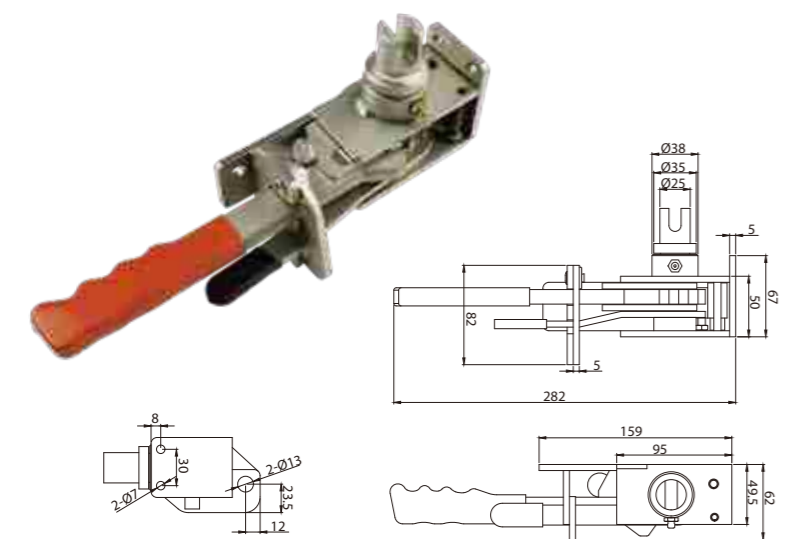
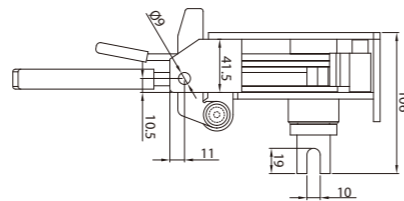
**TENSIONER**



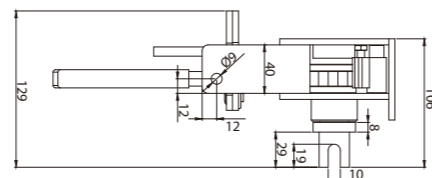
Item No.	JL2913	JL2914
Material	steel	steel
Weight	2.1kg	2.1kg
Position and Orientation System	left head	Right head



Item No.	JL242279	JL242280
Material	steel	steel
Weight	1.36kg	1.36kg
Position and Orientation System	left head	Right head



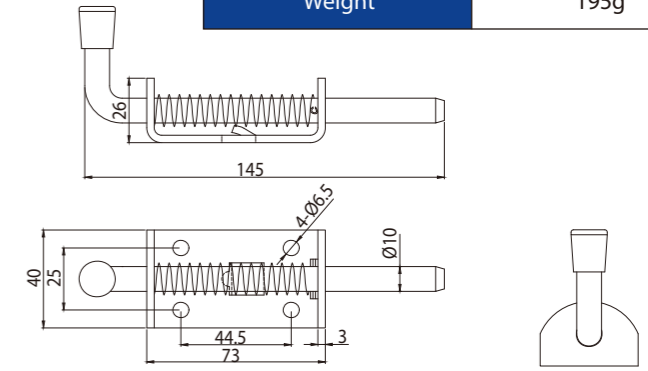
Item No.	JL242203	JL242204
Material	steel	steel
Weight	2.1kg	2.1kg
Position and Orientation System	left head	Right head



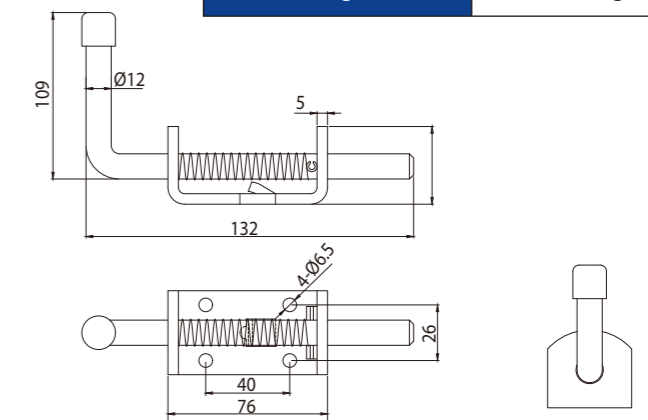
**SPRING RUNNER CLAMP**



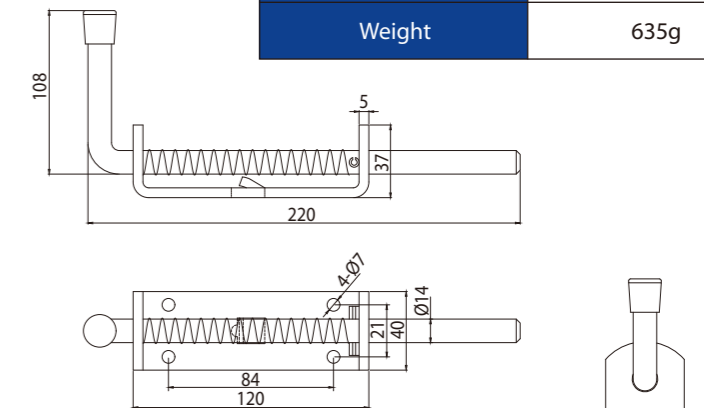
Item No.	JL3519-1
Material	iron
Weight	195g



Item No.	JL3440-1
Material	iron
Weight	195g



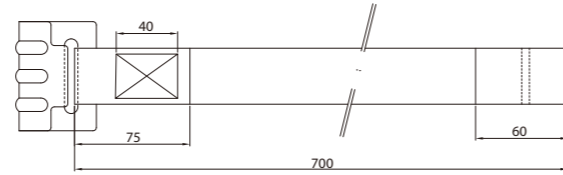
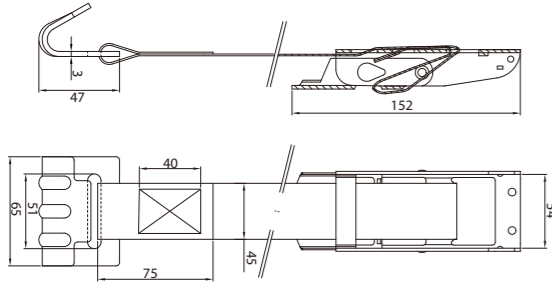
Item No.	JL3519-2
Material	iron
Weight	635g



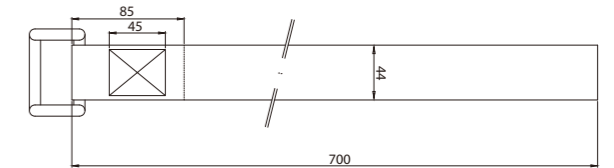
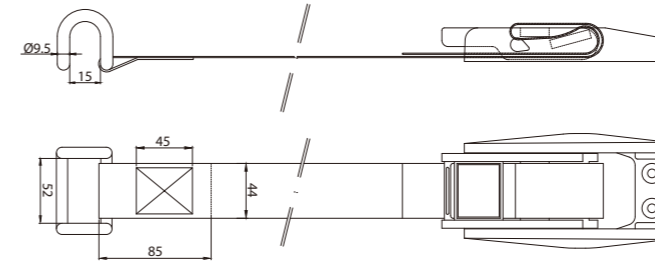
**BUCKLE SET**



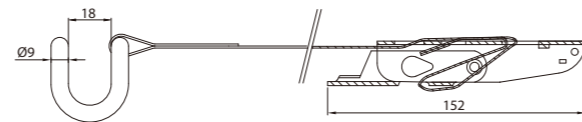
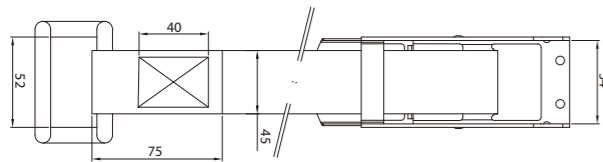
Item No.	JL9339N
Material	Stainless steel + PP
Weight	0.4kg
Breaking Strength	1760lbs./800kg



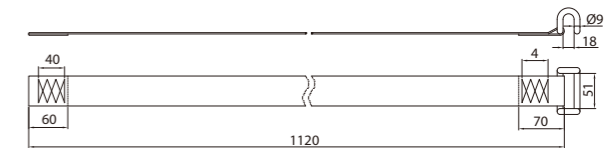
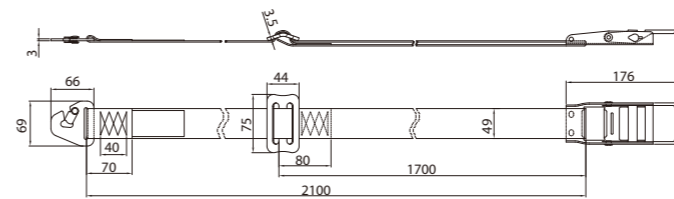
Item No.	JLT054-1
Material	Plastic+PE
Weight	0.2235kg
Breaking Strength	2200LBS./1000KG



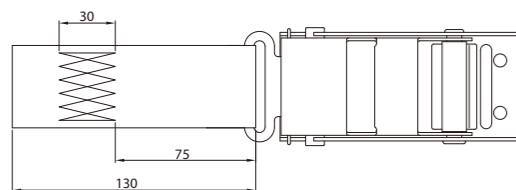
Item No.	JL9341B
Material	Stainless steel + PP
Weight	0.3375kg
Breaking Strength	2200LBS./1000KG



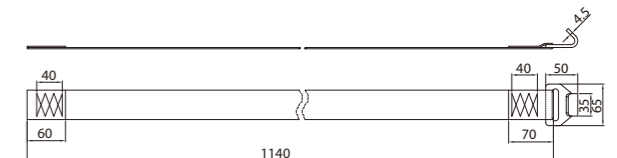
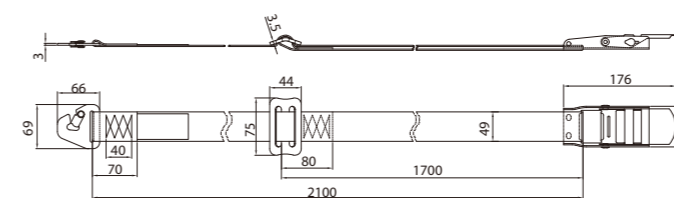
Item No.	JL242005
Material	PP
Weight	2.6kg
Breaking Strength	1540LBS./700KG



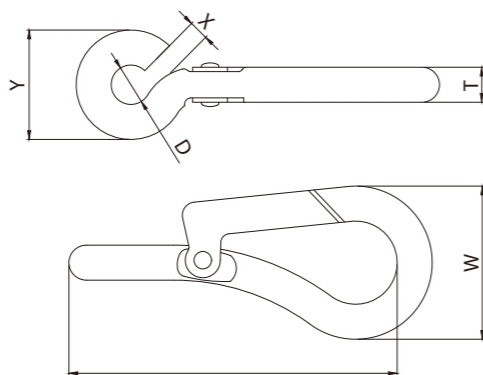
Item No.	JL9335N
Material	Stainless steel + PP
Weight	0.4625kg
Breaking Strength	2200LBS./1000KG



Item No.	JL242006
Material	PP
Weight	2.6kg
Breaking Strength	1540LBS./700KG



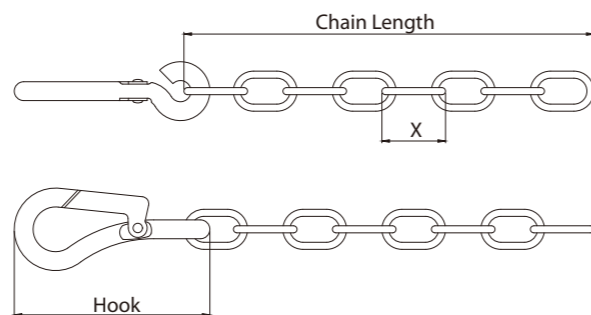
**SPRING HOOK TO SCREW**



- Formed Steel Hooks
- Sprung Catch
- Supplied loose or in boxed quantities
- Finish: BZP

Item No.	L	W	T	D	X	Y	KG
JL239003	50	25	6	9	4	20	0.025
JL239004	63	32	7	10	5	23	0.040
JL239005	75	36	8	12	6	26	0.075
JL239006	88	40	9.5	14	7	30	0.095
JL239007	102	45	10	16	8	34	0.120

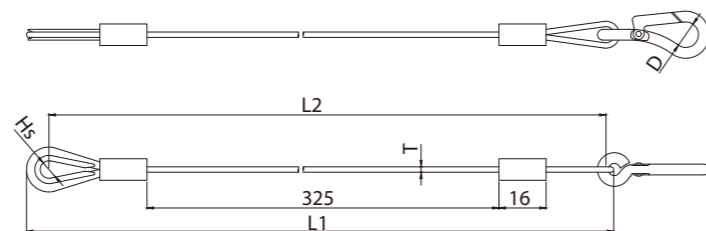
**SPRING HOOK TO CHAIN**



- Hook assemblies supplied with welded chain
- Various end fixings available (please ask for details)
- Parts shown are standard assemblies; bespoke assemblies available on request
- Typical chain construction is 3x21mm
- Chain Mass: 0.165kg/m
- Finish: BZP

Item No.	Hook Size	Chain Length	Chain Links	X	KG
JL239008	63	180	9	21	0.03
JL239009	75	180	9	21	0.04
JL239010	75	285	14	21	0.09
JL239011	88	285	14	21	0.12
JL239012	102	285	14	21	0.13

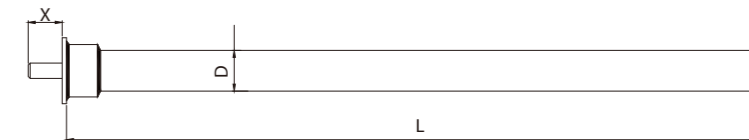
**PVC COVERED CABLE RETAINER**



- 3mm galvanised cable
- PVC overlay in black or clear; suffix with letter B or C to denote your choice (e.g. C235000)
- 75mm hook fitted as standard
- Various end fixings available (please ask for details)

Item No.	L1	L2	T	D	Hs	KG
JL235000	250	320	5	20	15	0.08
JL235001	300	370	5	20	15	0.09
JL235002	350	420	5	20	15	0.09
JL235003	400	470	5	20	15	0.10
JL235004	450	520	5	20	15	1.10

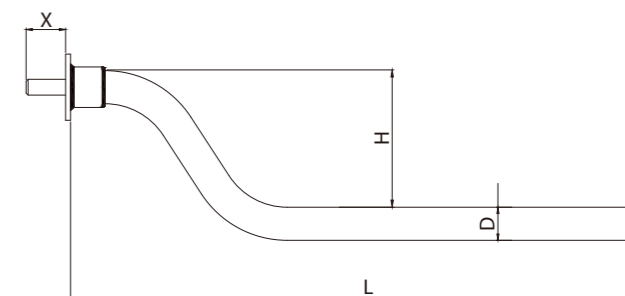
**STRAIGHT TYPE**



- Steel tubular construction
- Supplied with Nyloc nut, washer and plastic end cap

Item No.	D	L	X
JL233137	34	540	55
JL233138	34	580	55
JL233139	34	680	55
JL233140	42	600	55
JL233141	42	720	55

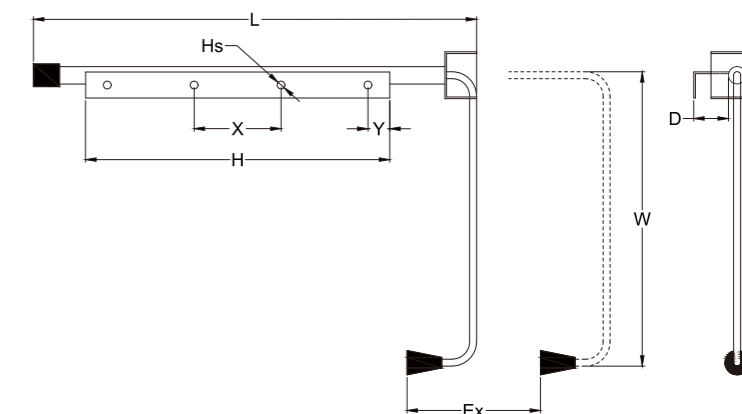
**CRANKED TYPE**



- Steel tubular construction
- Supplied with Nyloc nut, washer and plastic end cap

Item No.	D	L	H	X
JL233012	34	580	150	55
JL233013	34	580	100	55
JL233014	34	580	100	55
JL233015	34	680	100	55
JL233016	34	750	100	55
JL233017	34	760	100	55
JL233018	42	800	100	55
JL233019	42	800	100	55

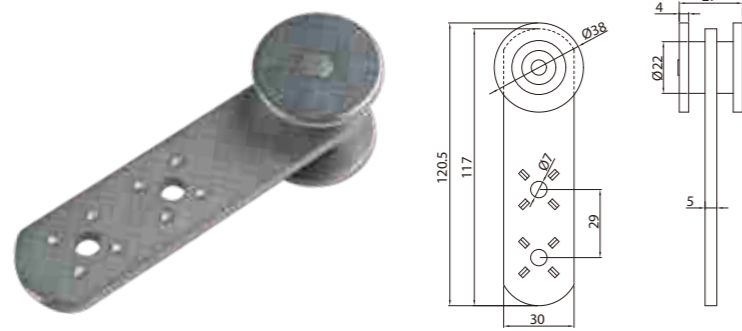
**SPRING-LOADED RETAINER**



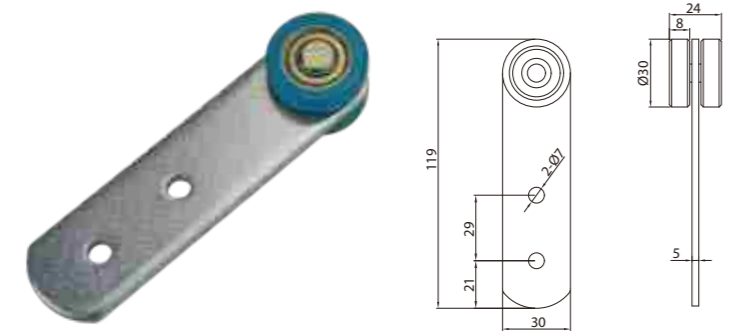
- Manufactured from ERW tube
- Supplied with plastic buffer
- Primarily left-handed, but can be used either way
- Finish: BZP

Item No.	L	W	H	Ex	D	Hs	X	Y	KG
JL235006	510	340	350	200	40	9	100	25	2.5

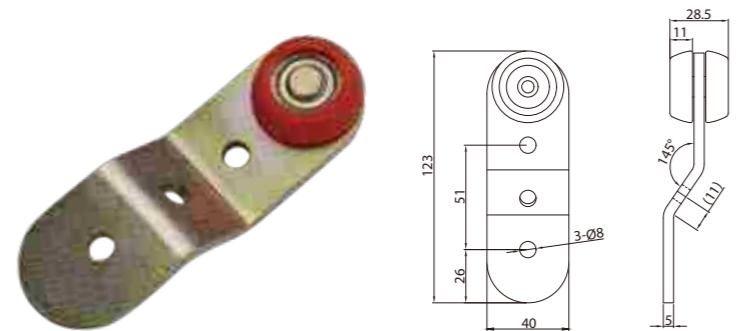
**ROLLER**



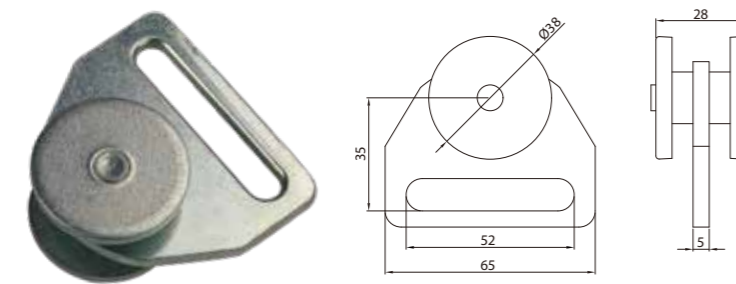
Item No.	JL9596
Material	steel
Weight	0.2165kg



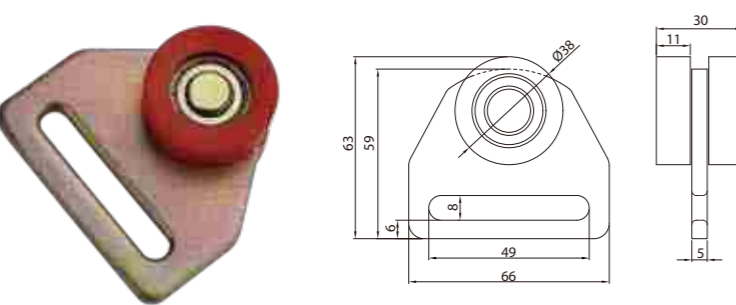
Item No.	JL3044
Material	Q235+Nylon roller
Weight	0.1619kg



Item No.	JL9297
Material	steel
Weight	0.215kg

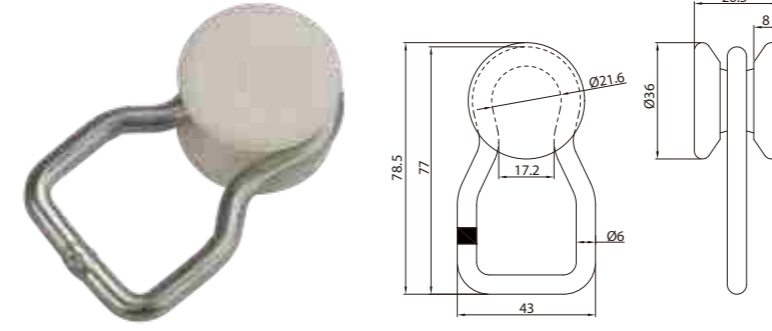


Item No.	JL9600-1
Material	steel
Weight	0.177kg

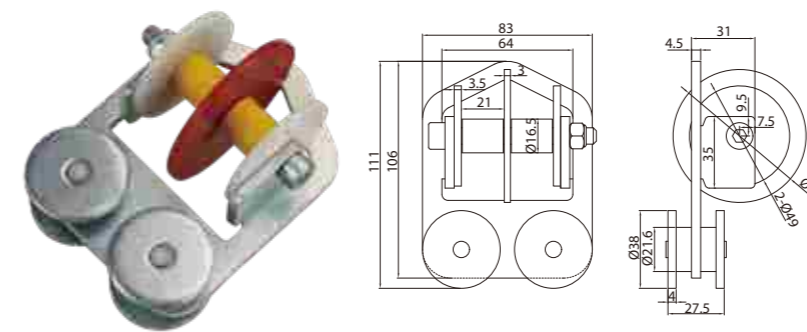


Item No.	JL9600-2
Material	steel
Weight	0.155kg

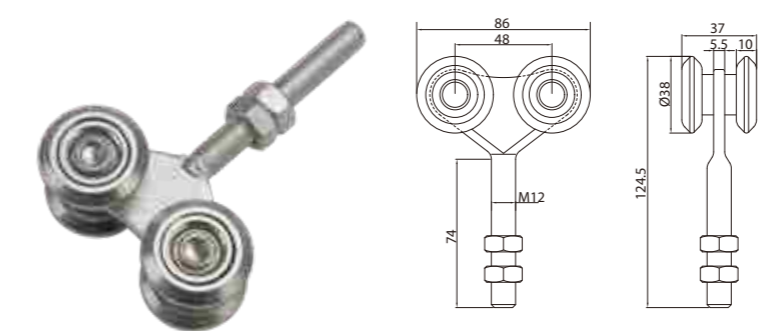
**ROLLER**



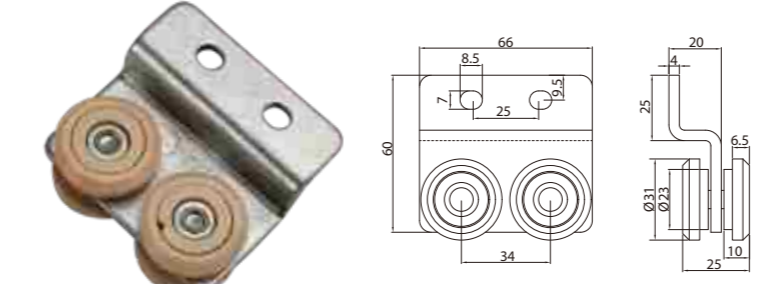
Item No.	JL242121-CF
Material	steel
Weight	0.065kg



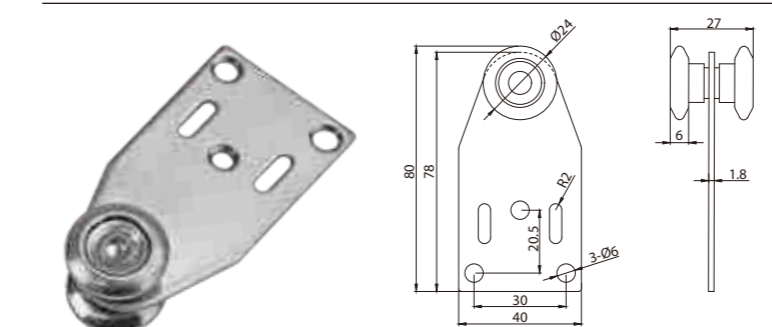
Item No.	JL242129
Material	steel
Weight	0.368kg



Item No.	JL2395-1
Material	Q195
Weight	0.449kg



Item No.	JL3040
Material	steel
Weight	0.188kg



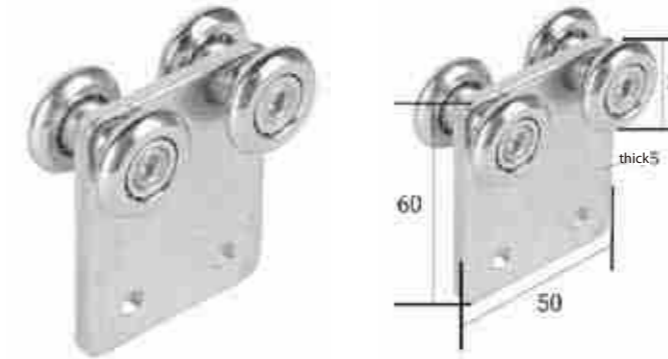
Item No.	JL2205
Material	steel
Weight	0.774kg

**SLIDING DOOR ROLLER**

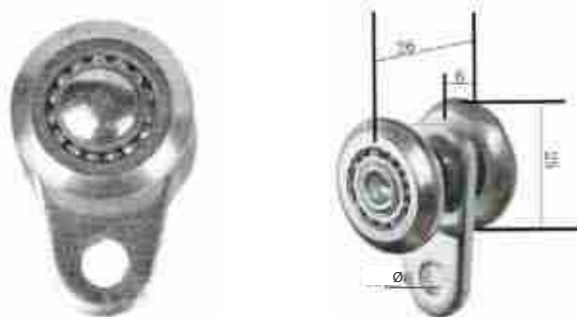


Item No.	JLSDR001
Material	steel
Weight	0.35kg

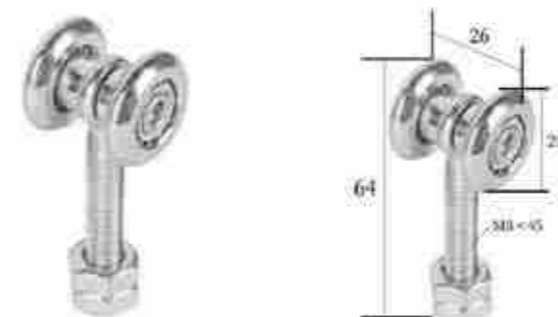
**SLIDING DOOR ROLLER**



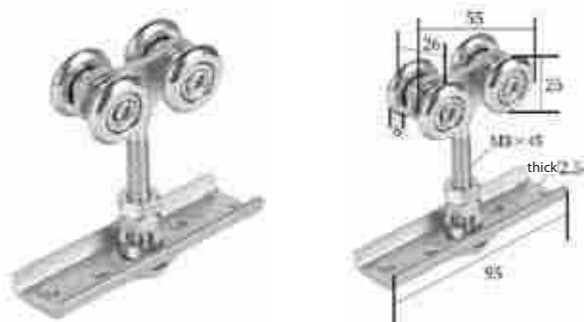
Item No.	JLSDR006
Material	steel
Weight	0.19kg



Item No.	JLSDR002
Material	Q235+Nylon roller
Weight	0.055kg



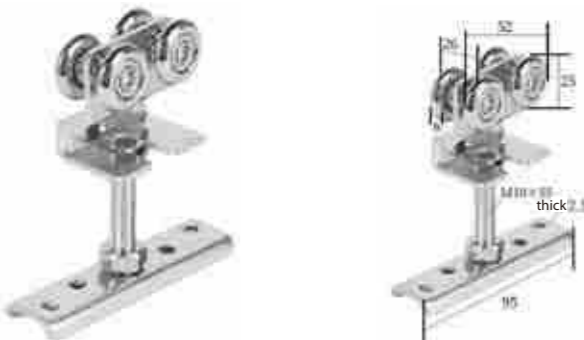
Item No.	JLSDR007
Material	steel
Weight	0.071kg



Item No.	JLSDR003
Material	steel
Weight	0.19kg



Item No.	JLSDR008
Material	Q195
Weight	0.17kg



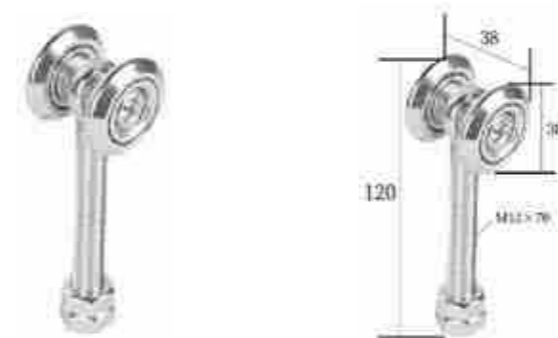
Item No.	JLSDR004
Material	steel
Weight	0.27kg



Item No.	JLSDR009
Material	steel
Weight	0.16kg



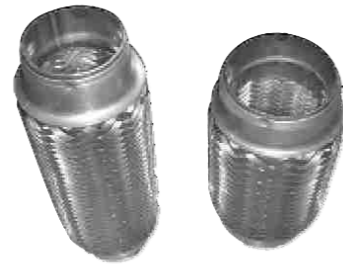
Item No.	JLSDR005
Material	steel
Weight	0.217kg



Item No.	JLSDR010
Material	steel
Weight	0.24kg

### DOUBLE-BRAIDED FLEXIBLE PIPE

Item No.	Size (inch)	Size (mm)
JLF15004	1-1/2"×4"	38*102
JLF15006	1-1/2"×6"	38*152
JLF15008	1-1/2"×8"	38*203
JLF15010	1-1/2"×10"	38*254
JLF17504	1-3/4"×4"	45*102
JLF17506	1-3/4"×6"	45*152
JLF17508	1-3/4"×8"	45*203
JLF17510	1-3/4"×10"	45*254
JLF20004	2"×4"	51*102
JLF20006	2"×6"	51*152
JLF20008	2"×8"	51*203
JLF20010	2"×10"	51*254
JLF22504	2-1/4"×4"	57*102
JLF22506	2-1/4"×6"	57*152
JLF22508	2-1/4"×8"	57*203
JLF22510	2-1/4"×10"	57*254
JLF25004	2-1/2"×4"	63.5*102
JLF25006	2-1/2"×6"	63.5*152
JLF25008	2-1/2"×8"	63.5*203
JLF25010	2-1/2"×10"	63.5*254
JLF30004	3"×4"	76.2*102
JLF30006	3"×6"	76.2*152
JLF30008	3"×8"	76.2*203
JLF30010	3"×10"	76.2*254



- Full Coverage
- Constructed with 2-Ply Bellows
- Designed with a Seamless, Convoluted Inner Core to Prevent Exhaust Leaks
- Increased Flexibility to Reduce Vibration
- Available with OB (outer braid), OIB (outer and inner braid), and IN (interlock)
- Available with 201 SS / 304 SS braid and interlock

### DOUBLE BRAIDS WITH TUBE

Item No.	Size (inch)	Size (mm)
JLFN15004	1-1/2"×4"×8"	38*102*203
JLFN15006	1-1/2"×6"×10"	38*152*254
JLFN15008	1-1/2"×8"×12"	38*203*305
JLFN15010	1-1/2"×10"×14"	38*254*356
JLFN17504	1-3/4"×4"×8"	45*102*203
JLFN17506	1-3/4"×6"×10"	45*152*254
JLFN17508	1-3/4"×8"×12"	45*203*305
JLFN17510	1-3/4"×10"×14"	45*254*356
JLFN20004	2"×4"×8"	51*102*203
JLFN20006	2"×6"×10"	51*152*254
JLFN20008	2"×8"×12"	51*203*305
JLFN20010	2"×10"×14"	51*254*356
JLFN22504	2-1/4"×4"×8"	57*102*203
JLFN22506	2-1/4"×6"×10"	57*152*254
JLFN22508	2-1/4"×8"×12"	57*203*305
JLFN22510	2-1/4"×10"×14"	57*254*356
JLFN25004	2-1/2"×4"×8"	63.5*102*203
JLFN25006	2-1/2"×6"×10"	63.5*152*254
JLFN25008	2-1/2"×8"×12"	63.5*203*305
JLFN25010	2-1/2"×10"×14"	63.5*254*356
JLFN30004	3"×4"×8"	76.2*102*203
JLFN30006	3"×6"×10"	76.2*152*254
JLFN30008	3"×8"×12"	76.2*203*305
JLFN30010	3"×10"×14"	76.2*254*356



- Full Coverage
- Constructed with 2-Ply Bellows
- Designed with a Seamless, Convoluted Inner Core to Prevent Exhaust Leaks
- Increased Flexibility Reduces Vibrations
- Available with OB (outer braid), OIB (outer and inner braid), and IN (interlock)
- Available with 201 SS / 304 SS braid and interlock

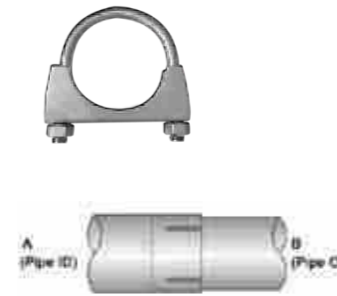
### FLEXIBLE PIPE WITH STEPPED NIPPLES

Item No.	Diameter	Flexible length	Total length
JLLT1417	45/48/55 mm	100 mm	400 mm
JLLT1418	45/48/55 mm	200 mm	400 mm
JLLT1416	45/48/55 mm	100 mm	312 mm



### ROUND BACK U CLAMP

Item No.	A Pipe ID	B Pipe OD
JLRBU150	1-1/2"	1-1/2"
JLRBU175	1-3/4"	1-3/4"
JLRBU200	2"	2"
JLRBU225	2-1/4"	2-1/4"
JLRBU250	2-1/2"	2-1/2"
JLRBU275	2-3/4"	2-3/4"
JLRBU300	3"	3"
JLRBU325	3-1/4"	3-1/4"
JLRBU350	3-1/2"	3-1/2"
JLRBU400	4"	4"
JLRBU500	5"	5"
JLRBU550	5-1/2"	5-1/2"
JLRBU600	6"	6"



- Mild steel with zinc or 304SS

### SINGLE BOLT CLAMP

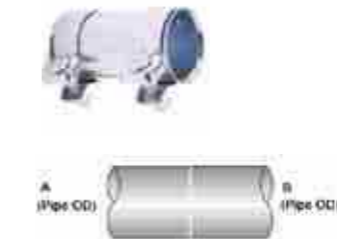
Item No.	A Pipe ID	B Pipe OD
JLSBC200SS	2"	2"
JLSBC225SS	2-1/4"	2-1/4"
JLSBC250SS	2-1/2"	2-1/2"
JLSBC275SS	2-3/4"	2-3/4"
JLSBC300SS	3"	3"
JLSBC350SS	3-1/2"	3-1/2"
JLSBC400SS	4"	4"
JLSBC450SS	4-1/2"	4-1/2"
JLSBC500SS	5"	5"
JLSBC600SS	6"	6"



- SS409 or aluminised steel

### LAP CLAMP

Item No.	A Pipe ID	B Pipe OD
JLLC200SS	2"	2"
JLLC225SS	2-1/4"	2-1/4"
JLLC250SS	2-1/2"	2-1/2"
JLLC275SS	2-3/4"	2-3/4"
JLLC300SS	3"	3"
JLLC350SS	3-1/2"	3-1/2"
JLLC400SS	4"	4"
JLLC450SS	4-1/2"	4-1/2"
JLLC500SS	5"	5"
JLLC600SS	6"	6"



- 304SS or 201SS

### QUICK RELEASE V BAND CLAMP KITS SS304

Item No.	A Pipe ID	B Pipe OD
JLVBCQ150	1-1/2"	38.9
JLVBCQ175	1-3/4"	45.2
JLVBCQ200	2"	51.6
JLVBCQ225	2-1/4"	57.9
JLVBCQ236	2.36"	60.5
JLVBCQ250	2-1/2"	64.3
JLVBCQ275	2-3/4"	70.6
JLVBCQ300	3"	77
JLVBCQ352	3-1/4"	83.3
JLVBCQ350	3-1/2"	89.7
JLVBCQ400	4"	101.4
JLVBCQ450	4-1/2"	115.1
JLVBCQ500	5"	127.8
JLVBCQ600	6"	153.2



- SS304(bolt SS410)
- Standard flange
- Male and female fange

### FLAT BACK U CLAMP

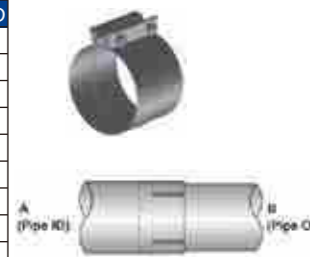
Item No.	A Pipe ID	B Pipe OD
JLFBU150	1-1/2"	1-1/2"
JLFBU175	1-3/4"	1-3/4"
JLFBU200	2"	2"
JLFBU225	2-1/4"	2-1/4"
JLFBU250	2-1/2"	2-1/2"
JLFBU275	2-3/4"	2-3/4"
JLFBU300	3"	3"
JLFBU325	3-1/4"	3-1/4"
JLFBU350	3-1/2"	3-1/2"
JLFBU400	4"	4"
JLFBU500	5"	5"
JLFBU550	5-1/2"	5-1/2"
JLFBU600	6"	6"



- Mild steel with zinc

### EXHAUST PIPE CONNECTOR

Item No.	Total length	A Pipe ID	B Pipe OD
JLEPC200	5"	2"	2"
JLEPC225	5"	2 1/4"	2 1/4"
JLEPC250	5"	2 1/2"	2 1/2"
JLEPC275	5"	2 3/4"	2 3/4"
JLEPC300	5"	3"	3"
JLEPC350	5"	3 1/2"	3 1/2"
JLEPC400	5"	4"	4"
JLEPC450	5"	4 1/2"	4 1/2"
JLEPC500	5"	5"	5"
JLEPC600	5"	6"	6"



- Mild steel or SS304
- Zinc on surface

### FLAT BAND CLAMP

Item No.	A Pipe ID	B Pipe OD
JLFB200SS	2"	2"
JLFB225SS	2-1/4"	2-1/4"
JLFB250SS	2-1/2"	2-1/2"
JLFB275SS	2-3/4"	2-3/4"
JLFB300SS	3"	3"
JLFB350SS	3-1/2"	3-1/2"
JLFB400SS	4"	4"
JLFB450SS	4-1/2"	4-1/2"
JLFB500SS	5"	5"
JLFB600SS	6"	6"



- 304SS or 201SS

### STANDARD V BAND CLAMP KITS SS304

Item No.	A Pipe ID	B Pipe OD
JLVBC150	1-1/2"	38.9
JLVBC175	1-3/4"	45.2
JLVBC200	2"	51.6
JLVBC225	2-1/4"	57.9
JLVBC236	2.36"	60.5
JLVBC250	2-1/2"	64.3
JLVBC275	2-3/4"	70.6
JLVBC300	3"	77
JLVBC352	3-1/4"	83.3
JLVBC350	3-1/2"	89.7
JLVBC400	4"	101.4
JLVBC450	4-1/2"	115.1
JLVBC500	5"	127.8
JLVBC600	6"	153.2



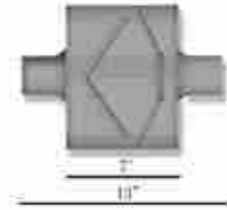
- SS304(bolt SS410)
- Standard flange
- Male and female fange

### UNIVERSAL PERFORMANCE CHAMBERED MUFFLER

◆ Aluminised steel or SS409

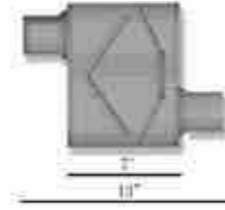
#### 4"x9" Oval Center Inlet / Center Outlet

Item No.	Inlet	Outlet
JLLR426	2-1/4"	2-1/4"
JLLR526	2-1/2"	2-1/2"
JLLR3026	3"	3"



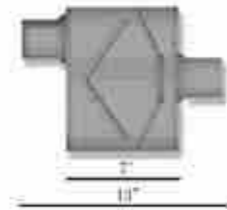
#### 4"x9" Oval Offset Inlet / Offset Outlet

Item No.	Inlet	Outlet
JLLR443	2-1/4"	2-1/4"
JLLR543	2-1/2"	2-1/2"
JLLR3043	3"	3"



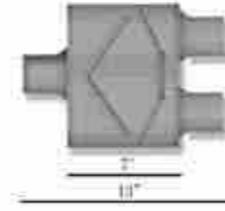
#### 4"x9" Oval Offset Inlet / Center Outlet

Item No.	Inlet	Outlet
JLLR441	2-1/4"	2-1/4"
JLLR541	2-1/2"	2-1/2"
JLLR3041	3"	3"



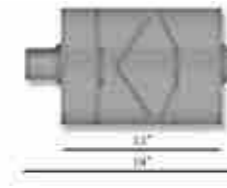
#### 4"x9" Oval Center Inlet / Dual Outlet

Item No.	Inlet	Outlet
JLLR2424	2-1/4"	2-1/4"
JLLR5422	2-1/2"	2-1/4"
JLLR5400	2-1/2"	2-1/2"
JLLR0422	3"	2-1/4"
JLLR0402	3"	2-1/2"



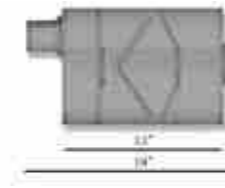
#### 4"x9" Oval Center Inlet / Center Outlet

Item No.	Inlet	Outlet
JLLT040	2"	2"
JLLT440	2-1/4"	2-1/4"
JLLT540	2-1/2"	2-1/2"
JLLT3040	3"	3"



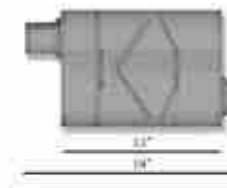
#### 4"x9" Oval Offset Inlet / Center Outlet

Item No.	Inlet	Outlet
JLLT041	2"	2"
JLLT441	2-1/4"	2-1/4"
JLLT541	2-1/2"	2-1/2"
JLLT3041	3"	3"



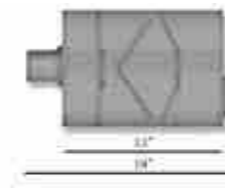
#### 4"x9" Oval Offset Inlet / Center Outlet

Item No.	Inlet	Outlet
JLLT043	2"	2"
JLLT443	2-1/4"	2-1/4"
JLLT543	2-1/2"	2-1/2"
JLLT3043	3"	3"



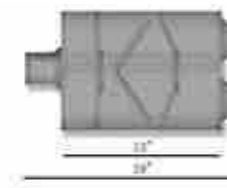
#### 4"x9" Oval Center Inlet / Center Outlet

Item No.	Inlet	Outlet
JLLT042	2"	2"
JLLT442	2-1/4"	2-1/4"
JLLT542	2-1/2"	2-1/2"
JLLT3042	3"	3"



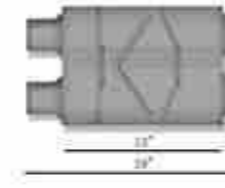
#### 4"x9" Oval Center Inlet / Center Outlet

Item No.	Inlet	Outlet
JLLT2424	2-1/4"	2-1/4"
JLLT5422	2-1/2"	2-1/4"
JLLT5400	2-1/2"	2-1/2"
JLLT0422	3"	2-1/4"
JLLT0402	3"	2-1/2"



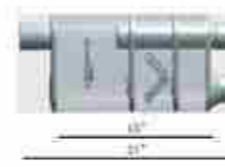
#### 4"x9" Oval Dual Inlet / Dual Outlet

Item No.	Inlet	Outlet
JLLT4554	2-1/4"	2-1/4"
JLLT2552	2-1/2"	2-1/2"



#### 4"x9" Oval Single Inlet / Dual Outlet (LRansverse)

Item No.	Inlet	Outlet
JLLT582	2-1/2"	2-1/4"
JLLT583	2-1/2"	2-1/2"
JLLT584	3"	2-1/2"



### UNIVERSAL PERFORMANCE STRAIGHT THROUGH MUFFLER

◆ SS409 & SS304  
◆ Fiberglass/rockwool filling

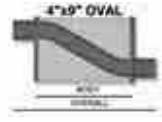
#### 4"x9" Oval Offset Inlet / Center Outlet

Item No.	Inlet	Outlet	Body	Overall
JLLTM1224	2"	2"	14"	20"
JLLTM1225	2-1/4"	2-1/4"	14"	20"
JLLTM1226	2-1/2"	2-1/2"	14"	20"
JLLTM1229	3"	3"	14"	20"
JLLTM1255	2-1/4"	2-1/4"	18"	24"
JLLTM1256	2-1/2"	2-1/2"	18"	24"
JLLTM1259	3"	3"	18"	24"
JLLTM1589	3"	3"	22"	28"



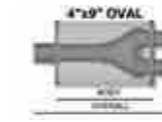
#### 4"x9" Oval Offset Inlet / Offset Outlet

Item No.	Inlet	Outlet	Body	Overall
JLLTM1234	2"	2"	14"	20"
JLLTM1235	2-1/4"	2-1/4"	14"	20"
JLLTM1236	2-1/2"	2-1/2"	14"	20"
JLLTM1239	3"	3"	14"	20"
JLLTM1265	2-1/4"	2-1/4"	18"	24"
JLLTM1266	2-1/2"	2-1/2"	18"	24"



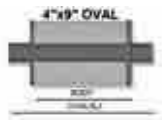
#### 4"x9" Oval Single Inlet / Dual Outlet

Item No.	Inlet	Outlet	Body	Overall
JLLTM1249	2-1/4"	2-1/4"	14"	20"
JLLTM1258	2-1/2"	2-1/4"	18"	24"
JLLTM1268	2-1/2"	2-1/2"	18"	24"
JLLTM1278	3"	2-1/4"	18"	24"
JLLTM1288	3"	2-1/2"	18"	24"
JLLTM1585	3"	2-1/4"	22"	28"
JLLTM1588	3"	2-1/2"	22"	28"
JLLTM1590	3"	3"	22"	28"



#### 4"x9" Oval Center Inlet / Center Outlet

Item No.	Inlet	Outlet	Body	Overall
JLLTM1219	3"	3"	14"	20"
JLLTM1249	3"	3"	18"	24"
JLLTM1579	3"	3"	22"	28"



#### 4"x9" Oval Dual Inlet / Dual Outlet

Item No.	Inlet	Outlet	Body	Overall
JLLTM1386	2-1/2"	2-1/2"	14"	20"
JLLTM1467	2-1/2"	2-1/2"	18"	24"
JLLTM1567	2-1/4"	2-1/4"	22"	28"
JLLTM1568	2-1/2"	2-1/2"	22"	28"
JLLTM1569	3"	3"	22"	28"



#### 5"x8" Oval Offset Inlet / Center Outlet

Item No.	Inlet	Outlet	Body	Overall
JLLTM2255	2-1/4"	2-1/4"	18"	24"
JLLTM2256	2-1/2"	2-1/2"	18"	24"
JLLTM2259	3"	3"	18"	24"
JLLTM2286	2-1/2"	2-1/2"	24"	30"
JLLTM2289	3"	3"	24"	30"



#### 5"x8" Oval Offset Inlet / Offset Outlet

Item No.	Inlet	Outlet	Body	Overall
JLLTM2263	2-1/2"	2-1/2"	18"	24"



#### 5"x8" Oval Center Inlet / Center Outlet

Item No.	Inlet	Outlet	Body	Overall
JLLTM2276	2-1/2"	2-1/2"	24"	30"



#### 5"x8" Oval Dual Inlet / Dual Outlet

Item No.	Inlet	Outlet	Body	Overall
JLLTM2468	2-1/2"	2-1/2"	18"	24"
JLLTM2469	3"	3"	18"	24"



#### 5"x8" Oval Single Inlet / Dual Outlet

Item No.	Inlet	Outlet	Body	Overall
JLLTM2149	2-1/4"	2-1/4"	14"	20"
JLLTM2158	2-1/2"	2-1/2"	14"	20"
JLLTM2198	3"	2-1/2"	14"	20"
JLLTM2258	2-1/2"	2-1/4"	18"	24"
JLLTM2268	2-1/2"	2-1/2"	18"	24"
JLLTM2278	3"	2-1/4"	18"	24"
JLLTM2288	3"	2-1/2"	18"	24"
JLLTM2298	3"	3"	18"	24"
JLLTM2368	2-1/2"	2-1/2"	24"	30"
JLLTM2388	3"	2-1/2"	24"	30"



#### 5"x8" Oval Camaro Inlet / Firebird Outlet

Item No.	Inlet	Outlet	Body	Overall
JLLTM2266	2-1/2"	2-1/4"	18"	24"
JLLTM2265	2-1/2"	2-1/2"	18"	24"
JLLTM2267	3"	2-1/2"	18"	24"



**5"x11" Oval**  
Offset Inlet / Center Outlet

Item No.	Inlet	Outlet	Body	Overall
JLLTM2589	3"	3"	22"	28"



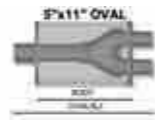
**5"x11" Oval**  
Offset Inlet / Center Outlet

Item No.	Inlet	Outlet	Body	Overall
JLLTM2579	3"	3"	22"	28"



**5"x11" Oval**  
Single Inlet / Dual Outlet

Item No.	INLET	Outlet	Body	Overall
JLLTM2585	3"	2-1/4"	22"	28"
JLLTM2588	3"	2-1/2"	22"	28"
JLLTM2590	3"	3"	22"	28"
JLLTM2594	4"	3"	22"	28"



**5"x11" Oval**  
Dual Inlet / Dual Outlet

Item No.	INLET	Outlet	Body	Overall
JLLTM2567	2-1/4"	2-1/4"	22"	28"
JLLTM2568	2-1/2"	2-1/2"	22"	28"



**4"x9" Oval**

Item No.	Inlet	Outlet	Body	Overall
JLTN2420	2-1/4"	2"	14"	20"
JLTN2424	2-1/4"	2-1/4"	14"	20"
JLTN2520	2-1/2"	2"	14"	20"
JLTN2524	2-1/2"	2-1/4"	14"	20"
JLTN2525	2-1/2"	2-1/2"	14"	20"
JLTN2720	2-3/4"	2"	14"	20"
JLTN2724	2-3/4"	2-1/4"	14"	20"
JLTN2725	2-3/4"	2-1/2"	14"	20"
JLTN2727	2-3/4"	2-3/4"	14"	20"
JLTN3020	3"	2"	14"	20"
JLTN3024	3"	2-1/4"	14"	20"
JLTN3025	3"	2-1/2"	14"	20"
JLTN3027	3"	2-3/4"	14"	20"
JLTN3030	3"	3"	14"	20"



**4"x9" Oval**

Item No.	Inlet	Outlet	Body	Overall
JLTL2420	2-1/4"	2"	18"	24"
JLTL2424	2-1/4"	2-1/4"	18"	24"
JLTL2520	2-1/2"	2"	18"	24"
JLTL2524	2-1/2"	2-1/4"	18"	24"
JLTL2525	2-1/2"	2-1/2"	18"	24"
JLTL2720	2-3/4"	2"	18"	24"
JLTL2724	2-3/4"	2-1/4"	18"	24"
JLTL2725	2-3/4"	2-1/2"	18"	24"
JLTL2727	2-3/4"	2-3/4"	18"	24"
JLTL3020	3"	2"	18"	24"
JLTL3024	3"	2-1/4"	18"	24"
JLTL3025	3"	2-1/2"	18"	24"
JLTL3027	3"	2-3/4"	18"	24"
JLTL3030	3"	3"	18"	24"



**4" Round**

Center Inlet / Center Outlet

Item No.	Inlet	Outlet	Body	Overall
JLLT414200	2"	2"	14"	20"
JLLT414225	2-1/4"	2-1/4"	14"	20"
JLLT414250	2-1/2"	2-1/2"	14"	20"
JLLT414300	3"	3"	14"	20"
JLLT418200	2"	2"	18"	24"
JLLT418225	2-1/4"	2-1/4"	18"	24"
JLLT418250	2-1/2"	2-1/2"	18"	24"
JLLT418300	3"	3"	18"	24"



**6" Round**

Center Inlet / Center Outlet

Item No.	Inlet	Outlet	Body	Overall
JLLT614200	2"	2"	14"	20"
JLLT614225	2-1/4"	2-1/4"	14"	20"
JLLT614250	2-1/2"	2-1/2"	14"	20"
JLLT614300	3"	3"	14"	20"
JLLT614350	3-1/2"	3-1/2"	14"	20"
JLLT614400	4"	4"	14"	20"
JLLT618200	2"	2"	18"	24"
JLLT618225	2-1/4"	2-1/4"	18"	24"
JLLT618250	2-1/2"	2-1/2"	18"	24"
JLLT618300	3"	3"	18"	24"
JLLT618350	3-1/2"	3-1/2"	18"	24"
JLLT618400	4"	4"	18"	24"



**7" Round**

Center Inlet / Center Outlet

Item No.	Inlet	Outlet	Body	Overall
JLLT720400	4"	4"	20"	26"
JLLT720500	5"	5"	20"	26"
JLLT724400	4"	4"	24"	30"
JLLT724500	5"	5"	24"	30"



**8" Round**

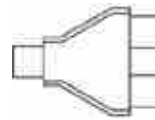
Center Inlet / Center Outlet

Item No.	Inlet	Outlet	Body	Overall
JLLT824400	4"	4"	24"	30"
JLLT824500	5"	5"	24"	30"



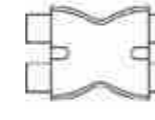
**Y connection pipe**

Item No.	Inlet	Outlet
JLSSY2020	2"	2"
JLSSY2424	2-1/4"	2-1/4"
JLSSY2524	2-1/2"	2-1/4"
JLSSY2525	2-1/2"	2-1/2"
JLSSY3024	3"	2-1/4"
JLSSY3025	3"	2-1/2"
JLSSY3030	3"	3"
JLSSY4040	4"	4"



**X connection pipe**

Item No.	Inlet	Outlet
JLSSX2424	2-1/4"	2-1/4"
JLSSX2525	2-1/2"	2-1/2"
JLSSX3030	3"	3"



Aluminised steel/SS409/SS304

Aluminised steel/SS409/SS304

**UNIVERSAL PERFORMANCE STRAIGHT THROUGH MUFFLER**

- ◆ SS304
- ◆ Reversed end caps
- ◆ Fiberglass/rockwool filling

**4"x9.5" Oval**  
Center Inlet / Offset Outlet

Item No.	Inlet	Outlet	Body	Overall
JLLB0344	2"	2"	14"	19"
JLLB0357	2.25"	2.25"	14"	19"
JLLB0358	2.5"	2.5"	14"	19"
JLLB0359	3"	3"	14"	19"
JLLB0664	2.25"	2.25"	19"	24"
JLLB0665	2.5"	2.5"	19"	24"



**4"x9.5" Oval**  
Offset Inlet / Offset Outlet

Item No.	Inlet	Outlet	Body	Overall
JLLB0346	2"	2"	14"	19"
JLLB0351	2.25"	2.25"	14"	19"
JLLB0352	2.5"	2.5"	14"	19"
JLLB0353	3"	3"	14"	19"



**4"x9.5" Oval**  
Center Inlet / Center Outlet

Item No.	Inlet	Outlet	Body	Overall
JLLB0347	2"	2"	14"	19"
JLLB0363	2.25"	2.25"	14"	19"
JLLB0364	2.5"	2.5"	14"	19"



**4"x9.5" Oval**  
Center Inlet / Dual Outlet

Item No.	Inlet	Outlet	Body	Overall
JLLB0348	2"	2.5"	19"	24"
JLLB0670	3"	2.25"	19"	24"
JLLB0349	3"	2.5"	19"	24"



**4"x9.5" Oval**  
Dual Inlet / Dual Outlet

Item No.	Inlet	Outlet	Body	Overall
JLLB0287	2.25"	2.25"	19"	24"
JLLB0286	2.5"	2.5"	19"	24"



**Round muffler**

Item No.	Inlet	Outlet	Body	Overall
JLLB0842S	2.5"	2.5"	5"	15"
JLLB0004S	3.5"	3.5"	5"	13"
JLLB0085	3"	3"	5"	20"
JLLB0086	3.5"	3.5"	5"	20"
JLLB00024	2.5"	2.5"	6.25"	18.5"
JLLB00373	3"	3"	6.25"	21"
JLLB00374	4"	4"	6.25"	21"
JLLB00261	3.5"	3.5"	6.25"	29"



**ECONOMY DOUBLE WRAP MUFFLER**

- ◆ Outer shell: aluminised steel; inner shell: galvanised steel
- ◆ 2 baffles / 3 tubes inside
- ◆ Welded end nipples

**4"x9" Oval**  
Offset Inlet / Center Outlet

Item No.	Inlet	Outlet	Body	Overall
JLDW001	1-3/4"	1-3/4"	15"	21"
JLDW002	2"	2"	15"	21"
JLDW003	2-1/4"	2-1/4"	15"	21"
JLDW004	2-1/2"	2-1/2"	15"	21"
JLDW005	1-3/4"	1-3/4"	18"	24"
JLDW006	2"	2"	18"	24"
JLDW007	2-1/4"	2-1/4"	18"	24"
JLDW008	2-1/2"	2-1/2"	18"	24"



**6" Round**  
Offset Inlet / Center Outlet

Item No.	Inlet	Outlet	Body	Overall
JLDWR001	1-3/4"	1-3/4"	15"	21"
JLDWR002	2"	2"	15"	21"
JLDWR003	2-1/4"	2-1/4"	15"	21"
JLDWR004	2-1/2"	2-1/2"	15"	21"
JLDWR005	1-3/4"	1-3/4"	18"	24"
JLDWR006	2"	2"	18"	24"
JLDWR007	2-1/4"	2-1/4"	18"	24"
JLDWR008	2-1/2"	2-1/2"	18"	24"
JLDWR009	1-3/4"	1-3/4"	24"	30"
JLDWR010	2"	2"	24"	30"
JLDWR011	2-1/4"	2-1/4"	24"	30"
JLDWR012	2-1/2"	2-1/2"	24"	30"



**4"x9" Oval**  
Offset Inlet / Offset Outlet

Item No.	Inlet	Outlet	Body	Overall
JLDW009	1-3/4"	1-3/4"	15"	21"
JLDW010	2"	2"	15"	21"
JLDW011	2-1/4"	2-1/4"	15"	21"
JLDW012	2-1/2"	2-1/2"	15"	21"
JLDW013	1-3/4"	1-3/4"	18"	24"
JLDW014	2"	2"	18"	24"
JLDW015	2-1/4"	2-1/4"	18"	24"
JLDW016	2-1/2"	2-1/2"	18"	24"

**EXHAUST TIP**

- ◆ 304 Stainless Steel / 201 Stainless Steel
- ◆ Bolt-on, Weld-on, or Clamp-on
- ◆ Single Wall / Double Wall
- ◆ Angle Rolled / Angle Cut
- ◆ Mirror Polished / Black Powder Coated

Item No.	INLET(ID)	OUTLET(OD)	OVERALL
JLTP6253	2-1/2"	3"	6"
JLTP62754	2-3/4"	4"	6"
JLTP634	3"	4"	6"
JLTP9253	2-1/2"	3"	9"
JLTP92754	2-3/4"	4"	9"
JLTP934	3"	4"	9"
JLTP12253	2-1/2"	3"	12"
JLTP122754	2-3/4"	4"	12"
JLTP1234	3"	4"	12"
JLTP1245	4"	5"	12"
JLTP18253	2-1/2"	3"	18"
JLTP182754	2-3/4"	4"	18"
JLTP1834	3"	4"	18"
JLTP1845	4"	5"	18"



**GLASS PACK**

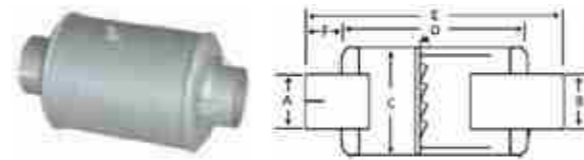
- ◆ Available with red painted finish
- ◆ Perforated or Louvered Pipe interior
- ◆ Fiberglass or Rockwool infill
- ◆ Aluminised Steel / 409SS / 304SS

Item No.	INLET&OUTLET	BODY LENGTH	BODY DIA.
JLGP9175	1-3/4"	9"	3-1/2"
JLGP9200	2"	9"	3-1/2"
JLGP9225	2-1/4"	9"	3-1/2"
JLGP9250	2-1/2"	9"	4"
JLGP9300	3"	9"	4"
JLGP12175	1-3/4"	12"	3-1/2"
JLGP12200	2"	12"	3-1/2"
JLGP12225	2-1/4"	12"	3-1/2"
JLGP12250	2-1/2"	12"	4"
JLGP12300	3"	12"	4"
JLGP15175	1-3/4"	15"	3-1/2"
JLGP15200	2"	15"	3-1/2"
JLGP15225	2-1/4"	15"	3-1/2"
JLGP15250	2-1/2"	15"	4"
JLGP15300	3"	15"	4"
JLGP18175	1-3/4"	18"	3-1/2"
JLGP18200	2"	18"	3-1/2"
JLGP18225	2-1/4"	18"	3-1/2"
JLGP18250	2-1/2"	18"	4"
JLGP18300	3"	18"	4"



**SPARK ARRESTOR**

Item No.	ID	OD	Body Dia.	Body Length	Overall Length	Inlet Length
JL49115U	1.5"	1.5"	4"	3.11"	6"	1.4"
JL49120B	2"	2"	5.5"	6.4"	11"	2"
JL49125A	2.5"	2.625"	5.5"	8.6"	11.8"	2"
JL49130A	3"	3.125"	6.5"	10.2"	15"	2.5"
JL49135A	3.5"	3.625"	7.5"	12"	17.6"	3"
JL49140A	4"	4.125"	8.5"	14.6"	21.2"	3.4"
JL49150A	5"	5.125"	9.5"	16"	24"	4"
JL49160A	6"	6.125"	12"	22"	27"	2"



**I.D.-I.D.**

Reduces larger I.D. pipe to smaller I.D. pipe.

Item No.	--I.D.--		--I.D.--		Length	
	in	mm	in	mm	in	mm
JLP207382	2.50	64	2.00	51	6.00	152
JLP207385	2.75	70	2.50	64	6.00	152
JLP206313	3.00	76	2.50	64	6.00	152
JLP207386	3.00	76	2.75	70	6.00	152
JLP206314	3.50	89	3.00	76	6.00	152
JLP206315	4.00	102	3.00	76	6.00	152
JLP206316	4.00	102	3.50	89	8.00	203
JLP206317	5.00	127	4.00	102	6.00	152
JLP206318	6.00	152	5.00	127	8.00	203



**O.D.-I.D.**

Reduces larger I.D. pipe to smaller O.D. pipe.

Item No.	--O.D.--		--I.D.--		Length	
	in	mm	in	mm	in	mm
JLP207389	2.50	64	2.00	51	6.00	152
JLP008942	2.50	64	2.25	57	4.00	102
JLP206324	3.00	76	2.25	64	6.00	152
JLP206325	3.50	89	3.00	76	6.00	152
JLP206326	4.00	102	3.00	76	6.00	152
JLP206327	4.00	102	3.50	89	6.00	152
JLP190041	4.50	114	4.00	102	6.00	152
JLP206328	5.00	127	4.00	102	6.00	152
JLP207394	6.00	152	5.00	127	6.00	152



**I.D.-O.D.**

Connects O.D. and I.D. pipes of the same size.

Item No.	I.D.-O.D		Length	
	in	mm	in	mm
JLP207411	2.00	51	6.00	152
JLP206366	2.50	64	6.00	152
JLP207413	2.75	70	6.00	152
JLP206367	3.00	76	6.00	152
JLP206368	3.50	89	6.00	152
JLP206369	4.00	102	8.00	203
JLP206370	5.00	127	8.00	203
JLP207414	6.00	152	6.00	152



**RAINCAP**

Item No.	Pipe OD	Pipe OD
JLRC150	1-1/2"	38mm
JLRC175	1-3/4"	44mm
JLRC200	2"	51mm
JLRC225	2-1/4"	57mm
JLRC250	2-1/2"	64mm
JLRC275	2-3/4"	70mm
JLRC300	3"	76mm
JLRC350	3-1/2"	89mm
JLRC400	4"	102mm
JLRC450	4-1/2"	114mm
JLRC500	5"	127mm
JLRC600	6"	152mm



• Mild steel with zinc or chrome

**I.D.-O.D.**

Reduces larger O.D. pipe to smaller I.D. pipe. Also used as muffler bushing or manifold outlet.

Item No.	--I.D.--		--O.D.--		Length	
	in	mm	in	mm	in	mm
JLP207397	2.50	64	2.00	51	6.00	152
JLP206319	3.00	76	2.50	64	6.00	152
JLP207401	3.00	76	2.75	64	6.00	152
JLP206320	3.50	89	3.00	76	6.00	152
JLP206321	4.00	102	3.00	76	6.00	152
JLP206322	4.00	102	3.50	89	6.00	152
JLP190046	4.50	114	4.00	102	6.00	152
JLP206323	5.00	127	4.00	102	6.00	152
JLP207402	6.00	152	5.00	127	6.00	152



**I.D.-I.D.**

Connects O.D. and I.D. pipes of the same size.

Item No.	--I.D.--		Length	
	in	mm	in	mm
JLP207405	2.00	51	6.00	152
JLP206371	2.50	64	6.00	152
JLP206372	3.00	76	6.00	152
JLP206373	3.50	89	6.00	152
JLP206374	4.00	102	6.00	152
JLP206375	5.00	127	6.00	152
JLP207408	6.00	152	6.00	152



**O.D.-O.D.**

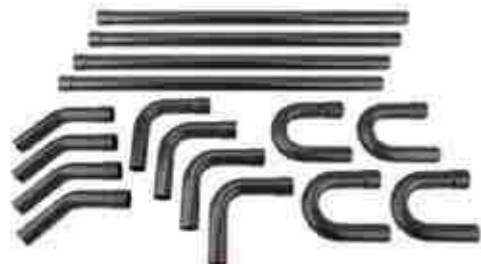
Connects I.D. pipes of the same size. Also used on manifold outlet. Connector includes a tube.

Item No.	O.D.-O.D.		Length	
	in	mm	in	mm
JLP206361	2.50	64	6.00	152
JLP206362	3.00	76	6.00	152
JLP206363	3.50	89	6.00	152
JLP206364	4.00	102	8.00	203
JLP206365	5.00	127	8.00	203



**UNIVERSAL DUAL EXHAUST SYSTEM KIT PER FOR MANCE MUFFLER WITH VALVE**

- ◆ 2", 2.25", 3"
- ◆ Available with Mild Steel and Aluminised Steel
- ◆ List:
  - Four 48" Straight Pipes
  - Four 90 Degree Pipes
  - Four 45 Degree Pipes
  - Four 180 Degree U-Bends

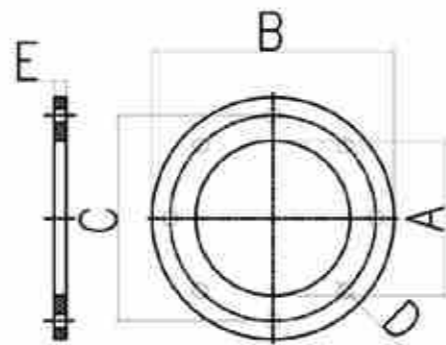


**HANGER/GASKET/FLANGE/MACHINED PART**



Item No.	A Inch	B Inch	C Inch	D Inch	E Inch	Holes
JL-81-T-200	2.00	6.00	4.75	0.75	0.5	4
JL-81-P-200	2.36	6.00	4.75	0.75	0.5	4
JL-81-T-250	2.50	7.00	5.50	0.75	0.5	4
JL-81-P-250	2.88	7.00	5.50	0.75	0.5	4
JL-81-T-300	3.00	7.50	6.00	0.75	0.5	4
JL-81-P-300	3.50	7.50	6.00	0.75	0.5	4
JL-81-T-350	3.50	8.50	7.00	0.75	0.5	8
JL-81-P-350	4.00	8.50	7.00	0.75	0.5	8
JL-81-400	4.00	9.00	7.50	0.75	0.5	8
JL-81-450	4.50	9.00	7.50	0.75	0.5	8
JL-81-500	5.00	10.00	8.50	0.88	0.5	8
JL-81-556	5.56	10.00	8.50	0.88	0.5	8
JL-81-600	6.00	11.00	9.50	0.88	0.5	8
JL-81-663	6.63	11.00	9.50	0.88	0.5	8
JL-81-800	8.00	13.50	11.75	0.88	0.5	8
JL-81-863	8.63	13.50	11.75	0.88	0.5	8
JL-81-1000	10.00	16.00	14.25	1.00	0.5	12
JL-81-1075	10.75	16.00	14.25	1.00	0.5	12
JL-81-1200	12.00	19.00	17.00	1.00	0.5	12
JL-81-1275	12.75	19.00	17.00	1.00	0.5	12
JL-81-1400	14.00	21.00	18.75	1.13	0.5	12
JL-81-1600	16.00	23.50	21.25	1.13	0.5	16

ANSI flanges are a standard connector for exhaust tubing. LT Exhaust offers a wide range of standard-sized flanges or can custom manufacture a solution for your unique needs



A = Inside Diameter  
 B = Outside Diameter  
 C = Bolt Circle  
 D = Hole Size  
 E = Thickness

**TRUCK MUFFLER**

Item No.	Body Diameter (inch)	Body length (inch)	Overall (inch)	Inlet (inch)	Outlet (inch)
JLM944-400E	9	44.5	51	4	4
JLM944-500E	9	44.5	51	5	5
JLM1044-400E	10	44.5	51	4	4
JLM1044-500E	10	44.5	51	5	5
JLM1044-506E	10	44.5	51	5	6
JLM1044-507E	10	44.5	51	5	7
JLM1044-508E	10	44.5	51	5	8
JLM1044-600E	10	44.5	51	6	6



**FLEXIBLE TUBE**

Item No.	ID (inch)	ID (mm)
JLFT150	1-1/2"	38mm
JLFT200	2"	51mm
JLFT225	2-1/4"	57mm
JLFT250	2-1/2"	63mm
JLFT275	2-3/4"	70mm
JLFT300	3"	76mm
JLFT350	3-1/2"	89mm
JLFT400	4"	102mm
JLFT450	4-1/2"	114mm
JLFT500	5"	127mm
JLFT600	6"	152mm
JLFT700	7"	177mm
JLFT800	8"	203mm



- 201SS for long durability
- Can ship at requested length up to 300"

**MANDREL BEND**

30 degree	45 degree	90 degree	diameter
LT30200	LT45200	LT90200	2"
LT30225	LT45225	LT90225	2.25"
LT30250	LT45250	LT90250	2.5"
LT30275	LT45275	LT90275	2.75"
LT30300	LT45300	LT90300	3"
LT30350	LT45350	LT90350	3.5"
LT30400	LT45400	LT90400	4"
LT30450	LT45450	LT90450	4.5"
LT30500	LT45500	LT90500	5"



Available in different types:

- OD-ID and OD-OD
- Aluminised Steel and Mild Steel
- Bend to any degree as requested

**UNIVERSAL Y PIPE**

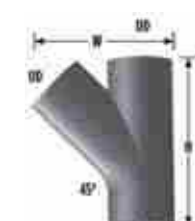
Item No.	Diameter	Width	Height
JLY-300A	3"	12"	10"
JLY-401A	4"	12"	8"
JLY-402A	4"	26"	12"
JLY-501A	5"	16"	11"
JLY-502A	5"	25"	14"



Item No.	Diameter	Width	Height
JLYB-400A	4"	10.5"	16"
JLYB-500A	5"	10.5"	16"



Item No.	Diameter	Width	Height
JLYC-400A	4"	9.4687"	12"
JLYC-500A	5"	10.843"	13"



5" Elbow



5" Elbow



Kenworth left elbow



Kenworth right elbow



4 1/2" exhaust pipe set

### CURVED STACKS

#### ID STYLE

Item No.	ID Dia.	Length
JLCS3-12EX	3"	12"
JLCS3-24EX	3"	24"
JLCS35-12EX	3.5"	12"
JLCS35-36EX	3.5"	36"
JLCS35-48EX	3.5"	48"
JLCS4-12EX	4"	12"
JLCS4-18EX	4"	18"
JLCS4-24EX	4"	24"
JLCS4-36EX	4"	36"
JLCS4-48EX	4"	48"
JLCS4-60EX	4"	60"
JLCS4-72EX	4"	72"
JLCS4-84EX	4"	84"
JLCS4-96EX	4"	96"
JLCS5-12EX	5"	12"
JLCS5-18EX	5"	18"
JLCS5-24EX	5"	24"
JLCS5-36EX	5"	36"
JLCS5-48EX	5"	48"
JLCS5-60EX	5"	60"
JLCS5-72EX	5"	72"
JLCS5-84EX	5"	84"
JLCS5-96EX	5"	96"
JLCS5-108EX	5"	108"
JLCS5-114EX	5"	114"
JLCS5-120EX	5"	120"
JLCS6-18EX	6"	18"
JLCS6-72EX	6"	72"
JLCS6-84EX	6"	84"
JLCS6-96EX	6"	96"
JLCS6-108EX	6"	108"
JLCS6-114EX	6"	114"
JLCS6-120EX	6"	120"



ID

#### OD STYLE

Item No.	ID Dia.	Length
JLCS3-24SB	3"	24"
JLCS35-12SB	3.5"	12"
JLCS35-36SB	3.5"	36"
JLCS4-12SB	4"	12"
JLCS4-18SB	4"	18"
JLCS4-24SB	4"	24"
JLCS4-36SB	4"	36"
JLCS4-48SB	4"	48"
JLCS4-60SB	4"	60"
JLCS4-72SB	4"	72"
JLCS5-12SB	5"	12"
JLCS5-18SB	5"	18"
JLCS5-24SB	5"	24"
JLCS5-36SB	5"	36"
JLCS5-48SB	5"	48"
JLCS5-60SB	5"	60"
JLCS5-72SB	5"	72"
JLCS5-84SB	5"	84"
JLCS5-96SB	5"	96"
JLCS6-24SB	6"	24"
JLCS6-36SB	6"	36"
JLCS6-48SB	6"	48"
JLCS6-60SB	6"	60"



OD

### CURVED STACK REDUCED BOTTOM

#### ID STYLE

Item No.	ID Dia.	Length
JL-SCS6-60EX-5	6"-5"	60"
JL-SCS6-72EX-5	6"-5"	72"
JL-SCS6-84EX-5	6"-5"	84"
JL-SCS6-96EX-5	6"-5"	96"
JL-SCS6-108EX-5	6"-5"	108"
JL-SCS6-114EX-5	6"-5"	114"
JL-SCS6-120EX-5	6"-5"	120"



ID

#### OD STYLE

Item No.	ID Dia.	Length
JL-SCS6-24SB-5	6"-5"	24"
JL-SCS6-36SB-5	6"-5"	36"
JL-SCS6-48SB-5	6"-5"	48"
JL-SCS6-60SB-5	6"-5"	60"
JL-SCS6-72SB-5	6"-5"	72"
JL-SCS6-84SB-5	6"-5"	84"
JL-SCS6-96SB-5	6"-5"	96"
JL-SCS6-108SB-5	6"-5"	108"



OD

### AUSSIE STACKS

#### ID STYLE

Item No.	ID Dia.	Length
JL-SAS6-108EX-5	6"-5"	108"



ID

#### OD STYLE

Item No.	ID Dia.	Length
JL-AS5-24SB	5"	24"
JL-AS5-36SB	5"	36"
JL-AS5-48SB	5"	48"
JL-AS5-60SB	5"	60"
JL-AS5-72SB	5"	72"
JL-SAS6-24SB-5	6"-5"	24"
JL-SAS6-36SB-5	6"-5"	36"
JL-SAS6-48SB-5	6"-5"	48"
JL-SAS6-60SB-5	6"-5"	60"



OD

### BULLHORN STACKS

#### ID STYLE

Item No.	ID Dia.	Length
JL-BH5-72EX	5"	72"
JL-BH5-84EX	5"	84"
JL-BH5-96EX	5"	96"
JL-BH5-108EX	5"	108"
JL-SBH6-72EX-5	6"-5"	72"
JL-SBH6-84EX-5	6"-5"	84"
JL-SBH6-96EX-5	6"-5"	96"
JL-SBH6-108EX-5	6"-5"	108"
JL-BH6-72EX	6"	72"
JL-BH6-84EX	6"	84"
JL-BH6-96EX	6"	96"
JL-BH6-108EX	6"	108"
JL-BH6-114EX	6"	114"



ID

#### OD STYLE

Item No.	ID Dia.	Length
JL-BH5-36SB	5"	36"
JL-BH5-48SB	5"	48"
JL-BH5-60SB	5"	60"
JL-BH5-72SB	5"	72"
JL-SBH6-36SB-5	6"-5"	36"
JL-SBH6-48SB-5	6"-5"	48"
JL-SBH6-60SB-5	6"-5"	60"
JL-BH6-36SB	6"	36"
JL-BH6-48SB	6"	48"
JL-BH6-60SB	6"	60"



OD

**BENZ**

OEM	Size
621 490 0065	115*280mm
620 490 0465	105*285mm
620 490 0365	90*285mm



OEM	Size
621 997 0090	(Q116MM)
620 997 0590	(Q105)
620 997 0490	(Q90MM)



OEM	OEM	OEM	OEM	OEM	OEM
942 490 2219	942 490 3019 942 490 4119	942 490 3119	942 490 2179	942 490 5119	624 490 0925



OEM	OEM	OEM	OEM	OEM
942 490 0825	942 490 2103	942 490 2203	942 490 2503	942 490 2603



OEM	OEM
942 490 2701	942 490 1301 942 490 2301



**SCANIA**

OEM	OEM	OEM
1500455 1484501	1753639	1735616



**DAF**

OEM	OEM
1321301	1344053 1428367



**VOLVO**

OEM	OEM	OEM	OEM	OEM	OEM
1676496 3979909 3979599	1674157 1664990 1544355	1675911 8149655 8157258	1676499	1675864	3183953



**VOLVO**

OEM	OEM	OEM	OEM	OEM	OEM
3943974	3962401	1628883	1629939	1626097	1629054 20535484



OEM	OEM	OEM	OEM	OEM	OEM
1628052	1629067	20745251	6797734	20455908	1629499



OEM	Flexible pipe
111710	76mm*290mm
106425	76mm*202mm
114545	102mm*380mm
141183	102mm*280mm
124636	102mm*190mm
20442239 8152560 1609345 8152564 1078116 1586825 1078119 1675571 1522264 1581580 1605632 1607603	115mm*340mm
1487830	115mm*140mm
215613	115mm*250mm
81152100037	120mm*600mm
2044226	127mm*330mm
3199065	127mm*300mm
1078111 20442244 20974489 815635	127mm*150mm



**SNOW CHAIN**

**J-PLATE ALUMINUM EXTRUDED TIE-DOWN**



JL3522(JPTD-E)



JL3523(JPTD-M)



JL3524(JPTD-B)



JL3233

**SPARE TIRE HOLDER**



JL3557

JL3558

**CORNER**



JL3294

JL3057

**TRUCK SERIES PRODUCTS**



JLLC45CBH

Cargo Bar Holder



JL3521

Standard Wood Holder



JL3177

Corner Protector Placement Tool



JL3088

Winch Winder



JL3223

Wheel Pin Puller



JL3142

Pipe Stakes for Flated



JL3362

Pipe stake 4 Feet



JL3225

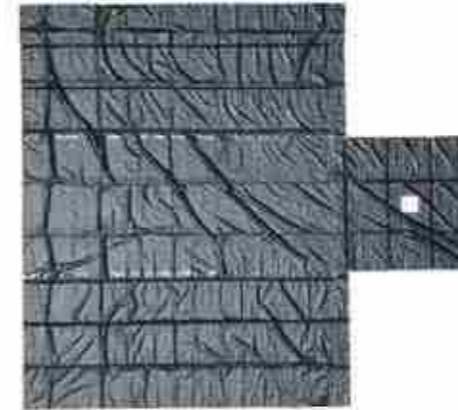
Stake Pocket Banner Bracket



JL3293

Adjustable C Channel Pipe Stake

**TARP**



14OZ RIPSTOP LUMBER TARP W 4' FLAP (ULTRA-LIGHT)

Item No.	Size	Material
JL3299-4	16' X 27'	knife-scrim fabric
JL3299-5	20' X 27'	knife-scrim fabric
JL3299-6	24' X 27'	knife-scrim fabric



Airbag / Parachute Fabric Ultra Light Lumber Tarp

Item No.	Size	Material
JL3299-1	16 x 27 (4' Drop)	knife-scrim fabric
JL3299-2	20 x 27 (6' Drop)	knife-scrim fabric
JL3299-3	24 x 27 (8' Drop)	knife-scrim fabric



Coil Tarp 6' x 6' x 6'



Smoke Tarp 10' x 12' Heavy Duty 18 Oz Vinyl



Premium Woven Moving Blankets  
72" x 80" (1 Piece)



Tarp Repair HH-66 Thinner



Tarp Repair Cement Glue -  
HH-66 Vinyl Cement, 32 fl oz

**HOT STICKS**



JLHS-03



JLHS-04

Hot Recommendation

Inner & Outer Twist Lock



JLAL-07



JLAL-08



JLAL-09

**HOT STICKS (TWIST-LOCK STYLE)**

Item No.	Withstand Voltage (kV)	No. of Sections	Total Length (mm)	Base Dia. (mm)
JLHS-03/04-33	10	3	3000	39
JLHS-03/04-34	35	3	4000	39
JLHS-03/04-345	35	3	4500	39
JLHS-03/04-35	35	3	5000	39
JLHS-03/04-46	110	4	6000	45
JLHS-03/04-48	220	5	8000	50

**HOT STICKS (SECTIONAL STYLE)**

Item No.	Withstand Voltage (kV)	No. of Sections	Total Length (mm)	Base Dia. (mm)
JLAL-07-23	10	2	3000	32
JLAL-07-33	10	3	3000	32
JLAL-07-34	35	3	4000	32/37
JLAL-07-35	35	3	5000	37
JLAL-07-36	110	3	6000	37-32
JLAL-07-44	35	4	4000	37
JLAL-07-445	35	4	4500	37
JLAL-07-45	35	4	5000	37
JLAL-07-46	110	4	6000	37-32/37
JLAL-07-55	35	5	5000	37-32
JLAL-07-58	220	5	8000	37-32



Premium quality with minimal gap

**HOT STICKS (TRIANGLE POLES WITH BUTTON STYLE)**

Item No.	Stretch L. (m)	Retract L. (m)	Section	Base Dia. (mm)
JLHS-02-3.8	3.8	1.50	3	35.0
JLHS-02-5.0	5.0	1.56	4	39.0
JLHS-02-6.4	6.4	1.68	5	43.8
JLHS-02-7.8	7.8	1.72	6	48.2
JLHS-02-9.2	9.2	1.82	7	52.6
JLHS-02-10.0	10.0	2.00	8	57.0
JLHS-02-12.0	12.0	2.08	8	57.0



**MEASURING LOAD HEIGHT STICKS**

Item No.	Upright Tube L.	Arm L.	Net Weight (kg)
JLMH-15	4.5m (15 ft)	1.2m (4 ft)	1.7
JLMH-18	5.5m (18 ft)	1.2m (4 ft)	2.1
JLMH-20	6.09m (20 ft)	1.2m (4 ft)	2.3
JLMH-27	8.23m (27 ft)	1.2m (4 ft)	3.1

- Universal metal parts: Aluminum alloy
- Protection Feature: Insulated Rubber Ring
- Carrying Bag: Waterproof Nylon or Canvas Bag
- Color: Red, Yellow, Green (Customization Available)

\*\*\* Length, sections, and color are available for customization.